

So Nice To Come Home To...



WHY BUY A FIREPLACE?

Maybe it's genetic — that almost mystical reaction we have to the flicker and glow of a fire. And who can resist its soft warmth? Fireplaces are the heart of the home, and central to our most cherished family and romantic memories.

Of course, fireplaces make more than just memories... for people around the world, and millions right here in America, they're a very important source of heat. And not just any heat — a gentle, permeating heat superior to many forced air systems.

So, whether they're meant to warm your home, or just your heart, fireplaces make all the difference.

WHY BUY AN ALPINE FIREPLACE?

Alpine Fireplaces has been in the business of designing, manufacturing, and selling fireplaces since 1977... and we're the holder of several patents that reflect our unfailing commitment to excellence.

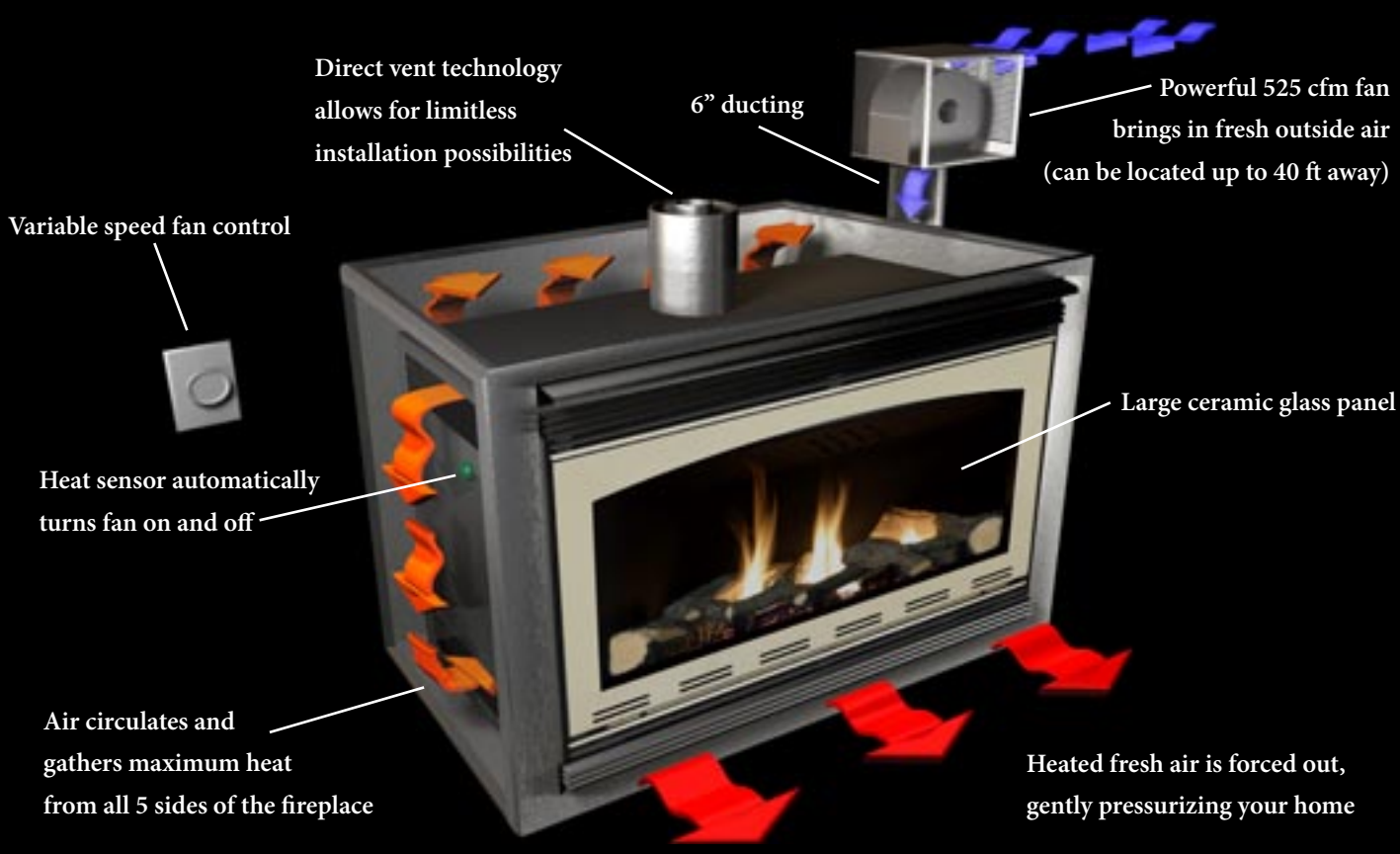
At Alpine Fireplaces, we pride ourselves on the technology we've developed that makes our fireplaces easier to install, safer to use, less expensive to maintain, and gentler on our environment. Our advanced burner technology and flame design make our fireplaces some of the most efficient and cleanest burning available... and our patented *Positive Pressure* technology evenly distributes heat throughout a home and prevents chilly drafts.

The real Alpine Fireplace difference, though, is our people. From the factory to the office, we're a family company: committed to our people, our product, and you.



The heart of your home





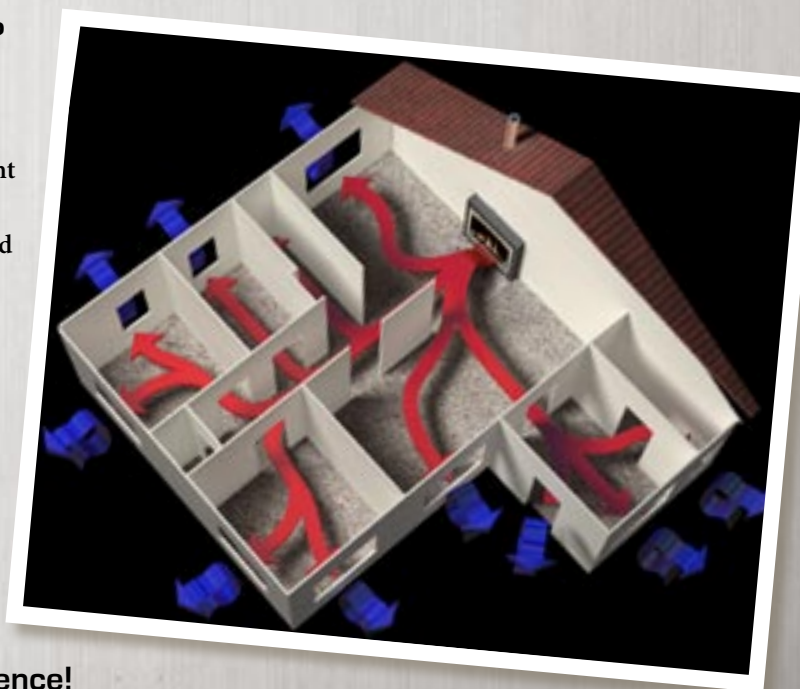
Serrano with Positive Pressure

WHAT IS A *POSITIVE PRESSURE* FIREPLACE?

Our patented *Positive Pressure* technology takes modern fireplaces to a new level of comfort and efficiency. Traditional fireplaces produce line-of-sight heat that warms unevenly — with a fast drop-off from unbearably hot to chilly in just a few feet — and doesn't do anything to stave off cold winter drafts.

The *Serrano* fireplace with *Positive Pressure* pulls in fresh, outside air and warms it... then moves that air out into the house, gently warming your home. And because our fireplaces draw air from outside, they raise interior air pressure just enough to keep chilly drafts at bay, reducing hot spots. No more complaints when someone comes in from the cold — chilly breezes stay outside, where they belong.

***Positive Pressure* makes all the difference!**



Fireplace Gallery



Square Window Trim
Single Brushed Louver Package



Designer Diamond Face
Arched Diamond Window Trim



Diamond Arched Brushed Nickel Window Trim



Square Window Trim, Standard Louvers



Arched Gold Plated Window Trim



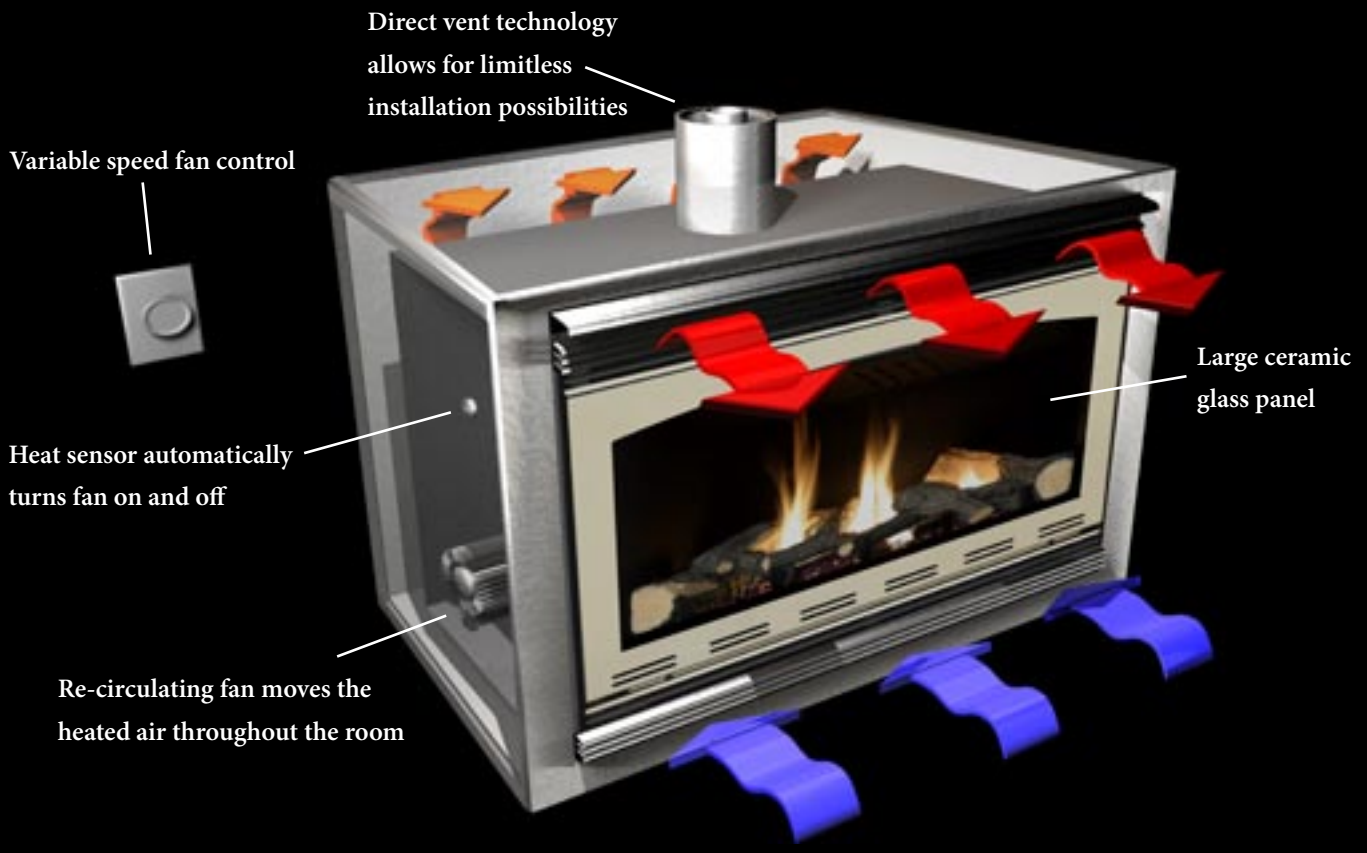
Square Window Trim
Double Gold Plated Louver Package



Mission Style Doors and Screen Package



Sunrise Style Doors and Screen Package



WHAT IS *XCHANGE COMFORT*? Tamarron with Xchange Comfort

In addition to our *Positive Pressure* fireplaces, Alpine manufactures one of the industry leading re-circulating fireplaces. With *Xchange Comfort*, the re-circulating fireplace has all of the same technology and beauty, but uses a re-circulating blower system to heat large rooms or extended living areas of your home.

Alpine fireplaces with *Xchange Comfort* technology, pull cooler air from the room through louvers at the foot of the fireplace... air which then heats and expands, warming the room through louvers above. Turning on the extra-quiet fan gently distributes the warmed air throughout the room.

There's an Alpine Fireplace for you!



UNIQUE TO SERRANO

Alpine's exclusive *Positive Pressure* heat exchange system is a patented method of heating fresh outside air, moving it more evenly through the home, increasing comfort and efficiency. This also enhances indoor air quality.

UNIQUE TO TAMARRON

Exchange Comfort Recirculating Heat System continually supplies warm - usable heat when you need it most.

TRIM OPTIONS

Face Trims

Painted Louvers or Louver Trim.
Brushed Nickel or Gold Plated Louver sets.

Decorative Glass Trims

Window trims available in a variety of shapes and finishes, including Arched, Square, Diamond, Mission & Sunrise Styles. Finishes include painted, brushed nickel, and gold plated.

Colors

Metallic Black, Metallic Blue, Metallic Brown, Honeyglow Brown, Goldenfire Brown, Forest Green & Charcoal finishes.

Customization

Ask an Alpine representative to see all of the other ways we can customize your fireplace -making it perfect for your home.

FEATURED ON BOTH

Limited Lifetime Warranty

Power-free operation — Our fireplaces are engineered to operate and produce usable heat, even when the power is out.

Realistic Flames and Logs — Specially designed burner and ceramic fiber logs produce the most realistic flame in the industry.

Customization — Choose from a wide variety of colors, trims, face sizes, and other decorative options, with the ability to adjust to your individual situation; as the manufacturer, we can build to meet individual needs!

Outstanding Efficiency — 83% efficient, providing for cost-effective fuel usage.

Environmentally Friendly — Don't sweat the no-burn days, Alpine fireplaces exceed EPA standards.

Rapid Shutdown Safety System — Shuts down within seconds should there be a problem with gas parts.

Direct-vent Technology — Besides allowing many venting options, this sealed fireplace with direct-vent system uses outside air for combustion. The exhaust is then expelled through a separate vent. This eliminates negative pressure and ensures maximum efficiency and trouble-free operation.

Multiple Controller Options — Wall switch, thermostat or remote control

Clean — No wood to split, store, or haul; no ashes or creosote; no foul smells in the home.

Safety Tested — Tested to the highest, most up-to-date standards by Warnock Hersey Laboratories.

Variable BTU Flame — Adjust heat output and flame size with a simple turn of the valve.

Variable Speed Fan with Rheostat — Fan turns on and off automatically when there is heat in the fireplace. Fan speed can be adjusted from high to low, or completely off for times you just want to enjoy the fire.

Brick & Color Options

Below are just a few examples of the trim options we have available for your new fireplace.



Brick Panels



Black



Charcoal Grey



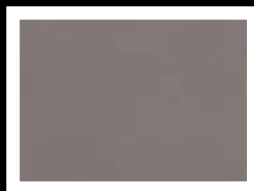
Goldenfire Brown



Forest Green



Honeyglow Brown

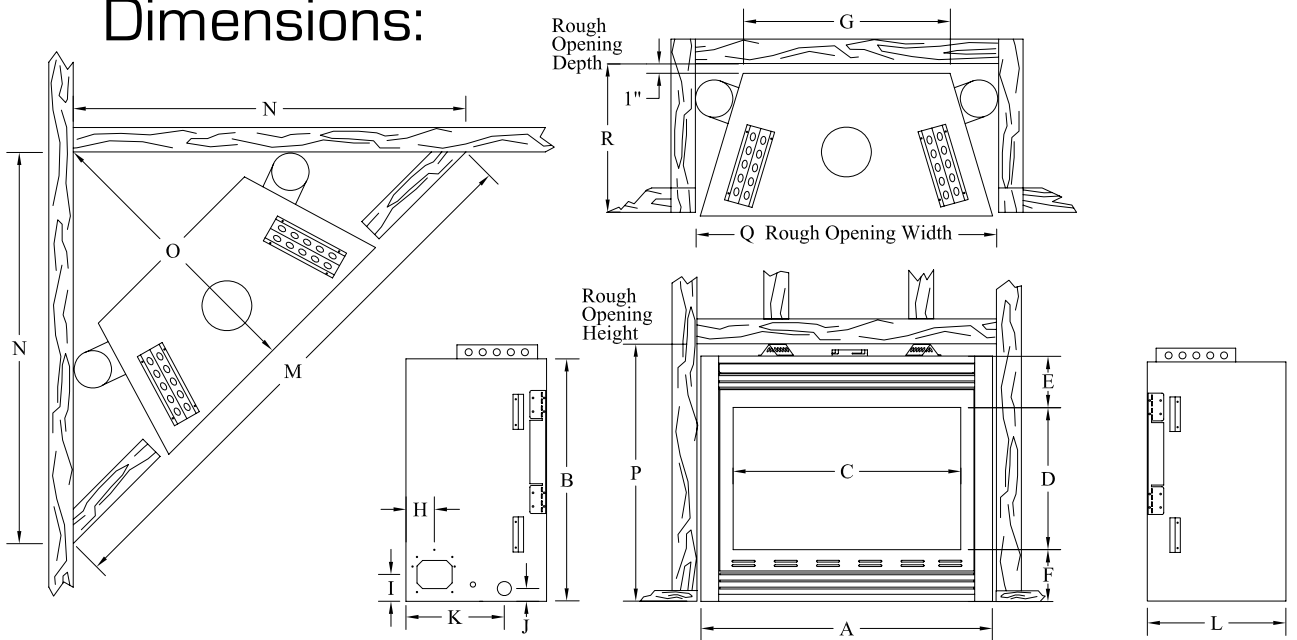


Metallic Brown



Metallic Blue

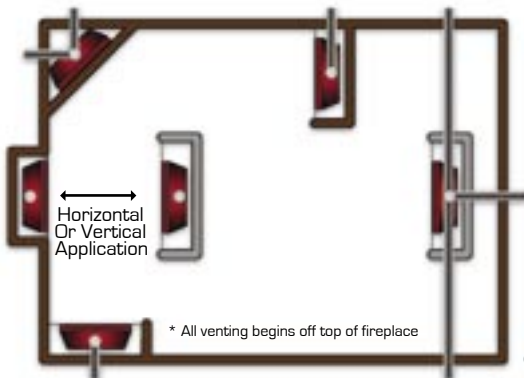
Dimensions:



Model	A	B	C	D	E	F	G	H	I	J	K	L	M	N	O	P	Q	R
SE-36	36"	31"	31"	17"	6.5"	7.5"	23.5"	4"	4"	2"	14"	20"	74"	56"	39"	33.5"	37.5"	21"
TR-36	36"	31"	31"	17"	6.5"	7.5"	23.5"	N/A	N/A	2"	14"	20"	64"	45"	32"	33.5"	37.5"	21"
SE-42	41"	34.5"	36"	20"	7"	7.5"	29"	4"	4"	2"	14"	20"	80"	57"	40.5"	38"	42.5"	21"
TR-42	41"	34.5"	36"	20"	7"	7.5"	29"	N/A	N/A	2"	14"	20"	71"	51"	35.5"	38"	42.5"	21"

Framing Dimensions

Typical Venting Applications:



BTU's:

SE-42	41,500
SE-36	31,000
TR-42	41,500
TR-36	31,000

© 2007 www.alpinegasfireplaces.com 1(800) 550 0952

