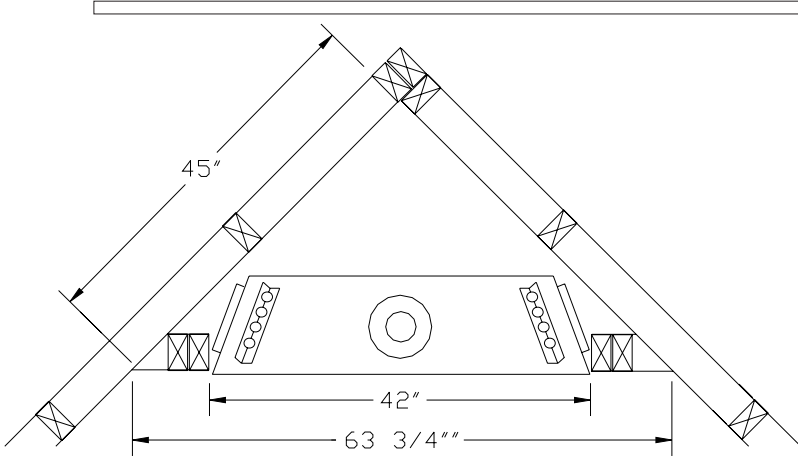
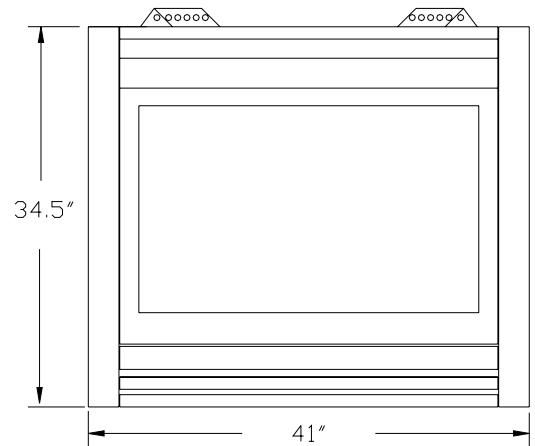


# ASC-42" BUILDERS MODEL FIREPLACE FRAMING INFORMATION

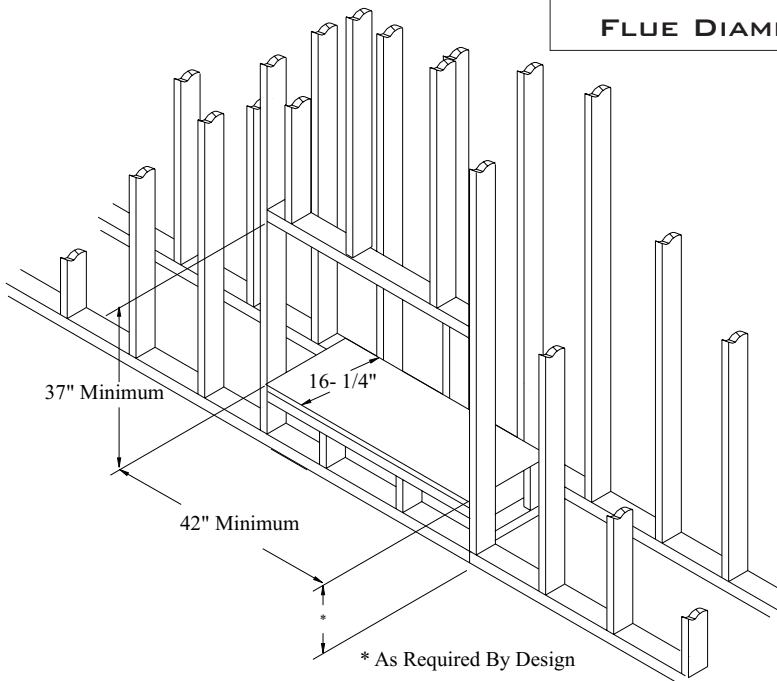


**CORNER INSTALLATION**

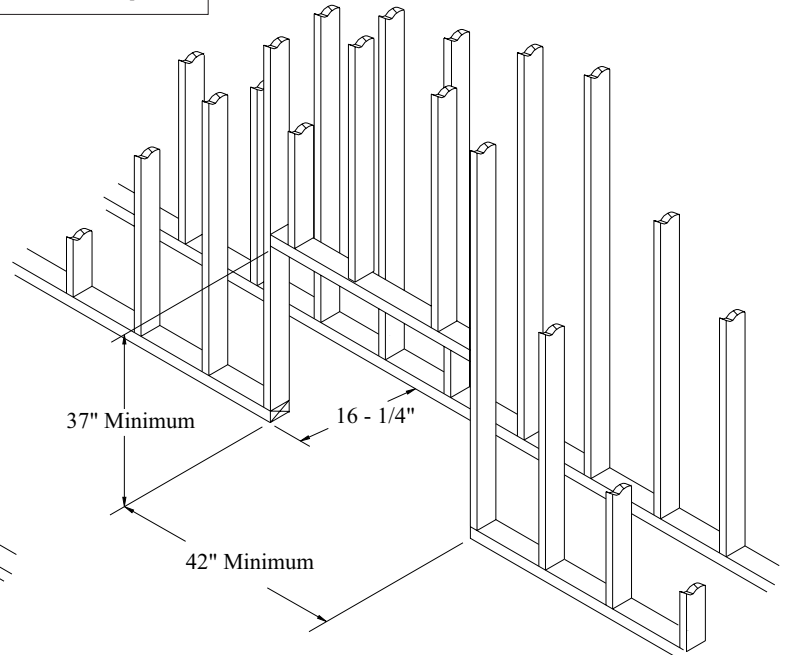


**FACE MEASUREMENTS**

**BTU INPUT**  
**NATURAL GAS 26,000**  
**PROPANE 23,000**  
**FLUE DIAMETER - 7"**



**PLATFORM INSTALLATION**



**FLOOR INSTALLATION**

## ALPINE FIREPLACES SHOWROOMS

CENTERVILLE	140 WEST PARRISH LANE	801.294.5702
LEHI	782 WEST STATE STREET	801.768.8411
OREM	1417 SOUTH STATE STREET	801.225.4015
SANDY	9192 SOUTH 300 WEST ST#1	801.566.0666
ST. GEORGE	393 EAST RIVERSIDE DRIVE	435.628.9133
SUGARHOUSE	2236 SOUTH 1150 EAST	801.487.4446

**TOLL FREE - 800.550.0952**  
**WWW.ALPINEGASFIREPLACES.COM**