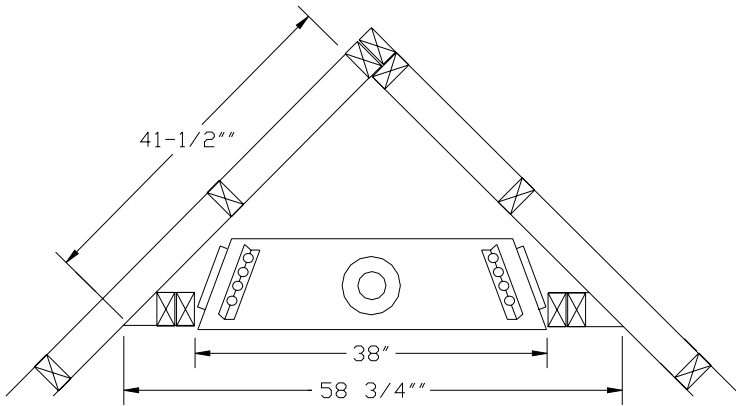
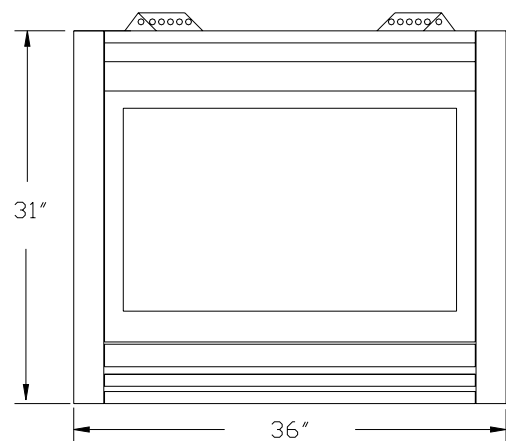


ASC-36" BUILDERS MODEL FIREPLACE FRAMING INFORMATION



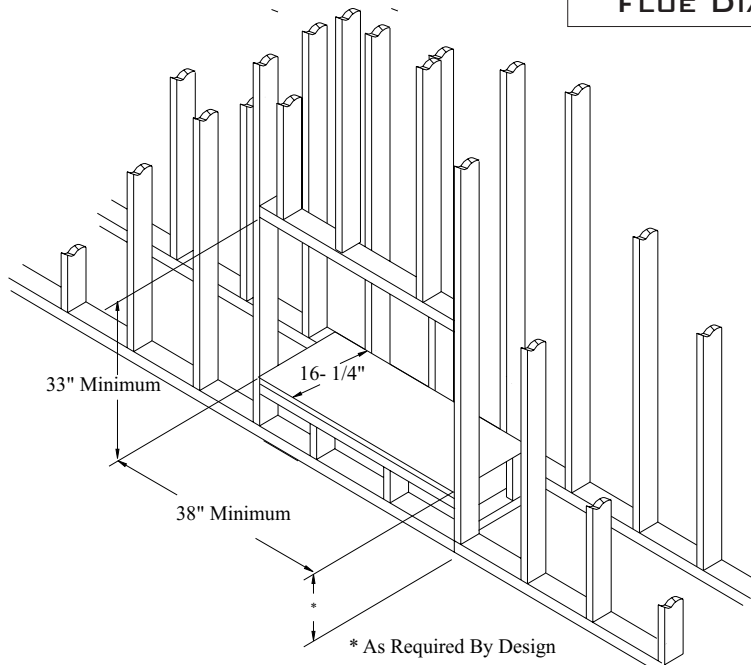
CORNER INSTALLATION



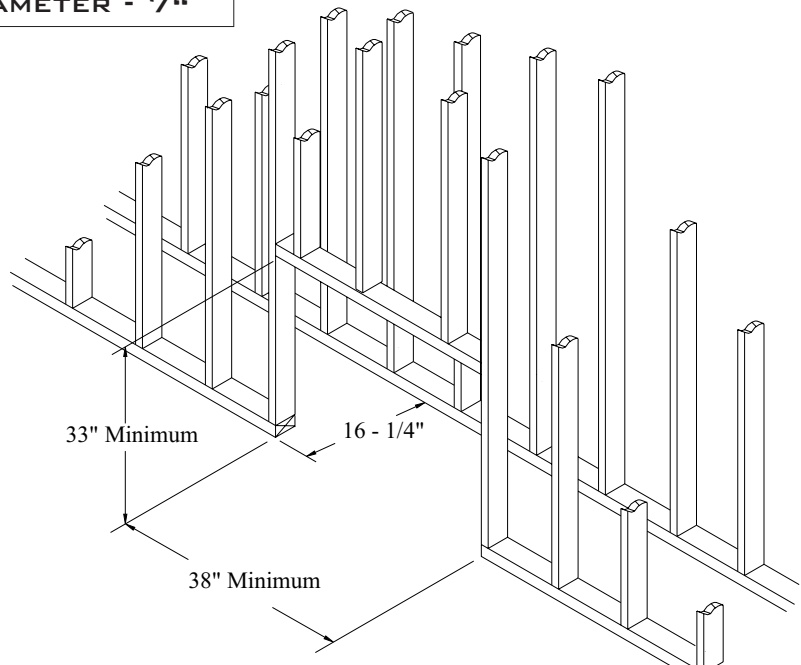
FACE MEASUREMENTS

BTU INPUT
NATURAL GAS 21,900
PROPANE 21,000

FLUE DIAMETER - 7"



PLATFORM INSTALLATION



FLOOR INSTALLATION

ALPINE FIREPLACES SHOWROOMS

| | | |
|-------------|--------------------------|--------------|
| CENTERVILLE | 140 WEST PARRISH LANE | 801.294.5702 |
| LEHI | 782 WEST STATE STREET | 801.768.8411 |
| OREM | 1417 SOUTH STATE STREET | 801.225.4015 |
| SANDY | 9192 SOUTH 300 WEST ST#1 | 801.566.0666 |
| ST. GEORGE | 393 EAST RIVERSIDE DRIVE | 435.628.9133 |
| SUGARHOUSE | 2236 SOUTH 1150 EAST | 801.487.4446 |

TOLL FREE - 800.550.0952
WWW.ALPINEGASFIREPLACES.COM