

## INSTALLATION AND OPERATING INSTRUCTIONS

**Model#: ASC - 36 NG    ASC - 36 NG - IPI  
ASC - 36 LP    ASC - 36 LP - IPI**

**Direct Vent Gas/Heat Recirculating Fireplace**



**Installer: Leave this manual with the appliance.**

**Consumer: Retain this manual for future reference.**

This appliance may be installed in an aftermarket permanently located, manufactured home (USA only) or mobile home, where not prohibited by local codes.

This appliance is only for use with the type of gas indicated on the rating plate. This appliance is not convertible for use with other gases, unless a certified kit is used.

**Warning:** If the information in these instructions is not followed exactly, a fire or explosion may result causing property damage, personal injury or loss of life.

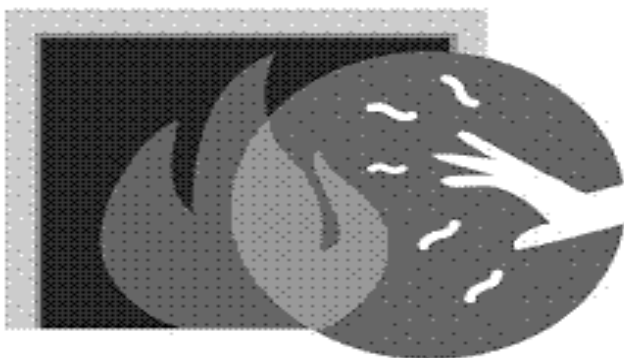
— **Do not** store or use gasoline or other flammable vapors and liquids in the vicinity of this or any other appliance.

— WHAT TO DO IF YOU SMELL GAS

- **Do not** try to light any appliance.
- **Do not** touch any electrical switch; do not use any phone in your building.
- Immediately call your gas supplier from a neighbor's phone. Follow the gas supplier's instructions.
- If you cannot reach your gas supplier, call the fire department.

— Installation and service must be performed by a qualified installer, service agency or the gas supplier.

## **WARNING**



**HOT GLASS WILL  
CAUSE BURNS.  
DO NOT TOUCH GLASS  
UNTIL COOLED.  
NEVER ALLOW CHILDREN  
TO TOUCH GLASS.**

Alpine Fireplaces  
782 West State Street  
Lehi, Utah 84043  
(801)768-8411

[www.alpinefireplaces.com](http://www.alpinefireplaces.com)

Tested by:





# TABLE OF CONTENTS

---

## SAFETY INFORMATION

Safety Label IPI.....	3
Safety Label Millivolt.....	4
Before Starting.....	5
General Safety Information .....	5
System Specifications.....	6
Derating the Appliance .....	6

## INSTALLATION REQUIREMENTS

Locating the Fireplace .....	6
Gas Line Installation.....	7
Clearances.....	7
Mantel Clearances .....	7
Hearth Materials .....	7
Framing and Finishing.....	8

## VENTING

Venting Planning .....	9
Venting Components List.....	9
Vent Termination Locations .....	10
Flex Venting Horizontal .....	11
Horizontal / Vertical Terminations...	12
Horizontal Venting Installation .....	13
Vertical Venting Installation.....	14

## ELECTRICAL SYSTEM

Electrical System Installation .....	15
Millivolt System Schematic.....	16
IPI System Schematic.....	16

## INSTALLATION INSTRUCTIONS

Securing the Fireplace .....	16
Installing the Venting .....	16
Primary Air Adjustment .....	19
Log Installation.....	20
Glass Removal / Installation.....	21
Remote Control (Optional).....	21
Wall Thermostat (Optional).....	21

## OPERATING INSTRUCTIONS

Millivolt Instruction Plate.....	22
IPI Instruction Plate.....	23
Lighting Instructions Millivolt .....	24
Lighting Instructions IPI.....	24
Shutdown Procedure.....	24

## FIREPLACE MAINTENANCE

Maintenance Instructions .....	25
Cleaning Brass Trims .....	25
Cleaning the Glass.....	26
Cleaning the Logs.....	26

## SERVICE

Log Replacement.....	26
Inspecting the Pilot.....	26
Replacement Parts List.....	27

## TROUBLESHOOTING GUIDE

Millivolt Control .....	28
IPI Control.....	29
Warranty Information.....	30

**Warnock Hersey**



**Alpine Gas Fireplaces**  
**Lehi, Utah**  
 Made in USA

**DO NOT REMOVE THIS LABEL**

**Serial Number: ASC 36-IPI**

**Listed:** DIRECT VENT GAS FIREPLACE HEATER  
**Tested to:** ANSI Z21.88a.2012./CSA2.33a-2012  
 VENTED GAS FIREPLACE HEATER.

**Report No.** 3031549 2/02



**NATURAL GAS : Series ASC36-NG-IPI**

Minimum supply pressure	5"	WC
Manifold pressure high	3.5"	WC
Manifold pressure low	1.6"	WC
Orifice Size	#46	DMS
Minimum input	11,600	BTU/h
Maximum input	21,900	BTU/h
Altitude	2500 – 6500	Ft

Model ASC36-NG-IPI

**PROPANE : Series ASC36-LP-IPI**

Minimum supply pressure	11"	WC
Manifold pressure high	10.0"	WC
Manifold pressure low	6.4"	WC
Orifice Size	#55	DMS
Minimum input	17,000	BTU/h
Maximum input	21,000	BTU/h
Altitude	2500 – 6500	Ft

Field Converted  
Put Label Here

Use Only M & G DirectVent Pro System . Use only DirectVent Pro 46DVA-VCH cap on vertical applications. This appliance must be installed in accordance with the manufacturer's installation instructions and with local codes, if any; if not, follow the current ANSI Z223.1 in the USA. This vented gas fireplace heater is not for use with air filters. # 432-917 Fan Kit may be used. Electrical supply 120VAC, .62 Amps, 60Hz. **VENTED GAS FIREPLACE HEATER NOT FOR USE WITH SOLID FUEL.**

**This appliance must be installed in accordance with the following minimum clearances:**

- 1 1/2" to combustibles – Top
- 1/2" to combustibles – Sides
- 1/2" to combustibles – Back
- 0" to combustibles – Bottom
- 18" Top of fireplace – Ceiling (Flex Vent)
- 14" Top of fireplace – Ceiling (Rigid Vent)
- 6" to combustible Mantel (projecting a maximum of 6" )

**The Flue requires the following minimum clearances on Horizontal Vent:**

- 2 1/2" to combustibles—top (flex)
- 2" to combustibles – Top (rigid)
- 1" to combustibles – Sides
- 1/2" to combustibles – Bottom

**The Flue requires the following minimum clearances on Vertical Vent:**

- 1 1/2" to combustibles – Vertical

**This appliance may be recessed until the front of the unit is flush with any facing material.**

Rating plate for electronic ignition models with SIT Pro Flame I ignition system.

# SAFETY INFORMATION

**DO NOT REMOVE THIS LABEL**

**Serial Number: ASC 36**

**Listed:** DIRECT VENT GAS FIREPLACE HEATER  
**Tested to:** ANSI Z21.88a.2012./CSA2.33a-2012  
**Report No.** 3031549 2/02

**Warnock Hersey**  
  
**Alpine Gas Fireplaces**  
**Lehi, Utah**  
 Made in USA

NATURAL GAS : Series ASC36-NG		PROPANE : Series ASC36-LP	
Minimum supply pressure	5" WC	Minimum supply pressure	11" WC
Manifold pressure high	3.5" WC	Manifold pressure high	10.0" WC
Manifold pressure low	1.6" WC	Manifold pressure low	6.4" WC
Orifice Size	# 46	Orifice Size	# 55
Minimum input	11,600 BTU/h	Minimum input	17,000 BTU/h
Maximum input	21,900 BTU/h	Maximum input	21,000 BTU/h
Altitude	2,500 – 6,500 Ft	Altitude	2,500 – 6,500 Ft

Model ASC36-NG

Use Only M & G DirectVent Pro System . Use only DirectVent Pro 46DVA-VCH cap on vertical applications. This appliance must be installed in accordance with the manufacturer's installation instructions and with local codes, if any; if not, follow the current ANSI Z223.1 in the USA. This vented gas fireplace heater is not for use with air filters. # 432-917 Fan Kit may be used. Electrical supply 120VAC, .62 Amps, 60Hz. **VENTED GAS FIREPLACE HEATER NOT FOR USE WITH SOLID FUEL.**

This appliance must be installed in accordance with the following minimum clearances:

- 1 1/2" to combustibles – Top
- 1/2" to combustibles – Sides
- 1/2" to combustibles – Back
- 0" to combustibles – Bottom
- 18" Top of fireplace – Ceiling (Flex Vent)
- 14" Top of fireplace – Ceiling (Rigid Vent)
- 6" to combustible Mantel (projecting a maximum of 6" )

**The Flue requires the following minimum clearances on Horizontal Vent:**

- 2 1/2" to combustibles - Top (flex)
- 2" to combustibles – Top (rigid)
- 1" to combustibles – Sides
- 1/2" to combustibles – Bottom

**The Flue requires the following minimum clearances on Vertical Vent:**

- 1 1/2" to combustibles – Vertical

**This appliance may be recessed until the front of the unit is flush with any facing material.**

Rating plate for millivolt controls with SIT Nova gas valve.

## INSTALLATION REQUIREMENTS

### **IMPORTANT: SAVE THESE INSTRUCTIONS**

The Alpine Supply Company Direct Vent Fireplace must be installed in accordance with these instructions. Carefully read all the instructions in this manual first. Consult the “authority having jurisdiction” to determine the need for a permit prior to starting the installation. It is the responsibility of the installer to ensure this fireplace is installed in compliance with the manufacturer’s instructions and all applicable codes.

### **BEFORE YOU START**

Safe installation and operation of this appliance requires common sense, however, we are required by ANSI Standards to make you aware of the following:

**INSTALLATION AND REPAIR SHOULD BE DONE BY A QUALIFIED SERVICE PERSON. THE APPLIANCE SHOULD BE INSPECTED BEFORE USE AND AT LEAST ANNUALLY BY A PROFESSIONAL SERVICE PERSON. MORE FREQUENT CLEANING MAY BE REQUIRED DUE TO EXCESSIVE LINT FROM CARPETING, BEDDING MATERIAL, ETC. IT IS IMPERATIVE THAT CONTROL COMPARTMENTS, BURNERS AND CIRCULATING AIR PASSAGEWAYS OF THE APPLIANCE BE KEPT CLEAN.**

**DUE TO HIGH TEMPERATURES, THE APPLIANCE SHOULD BE LOCATED OUT OF TRAFFIC AND AWAY FROM FURNITURE AND DRAPERIES.**

**CHILDREN AND ADULTS SHOULD BE ALERTED TO THE HAZARDS OF HIGH SURFACE TEMPERATURES, ESPECIALLY THE FIREPLACE GLASS, AND SHOULD STAY AWAY TO AVOID BURNS OR CLOTHING IGNITION.**

**YOUNG CHILDREN SHOULD BE CAREFULLY SUPERVISED WHEN THEY ARE IN THE SAME ROOM AS THE APPLIANCE. TODDLERS, YOUNG CHILDREN AND OTHERS MAY BE SUSCEPTIBLE TO ACCIDENTAL CONTACT BURNS. A PHYSICAL BARRIER IS RECOMMENDED IF THERE ARE AT RISK INDIVIDUALS IN THE HOUSE. TO RESTRICT ACCESS TO A FIREPLACE OR STOVE, INSTALL AN ADJUSTABLE SAFETY GATE TO KEEP TODDLERS, YOUNG CHILDREN AND OTHER AT RISK INDIVIDUALS OUT OF THE ROOM AND AWAY FROM HOT SURFACES.**

**WARNING: FAILURE TO INSTALL THIS APPLIANCE CORRECTLY WILL VOID YOUR WARRANTY AND MAY CAUSE A SERIOUS HOUSE FIRE.**

**CLOTHING OR OTHER FLAMMABLE MATERIAL SHOULD NOT BE PLACED ON OR NEAR THE APPLIANCE.**

### **GENERAL SAFETY INFORMATION**

- 1) The appliance installation must conform with local codes or, in the absence of local codes, with the current *National Fuel Gas Code*, ANSI Z223.1 installation code.
- 2) The appliance when installed, must be electrically grounded in accordance with local codes, or in the absence of local codes with the current *National Electrical Code*, ANSI/NFPA 70.
- 3) This appliance must be connected to the specified vent and termination cap to the outside of the building envelope. Never vent to another room or inside a building. Make sure that the vent is fitted as per venting instructions.
- 4) Inspect the venting system annually for blockage and any signs of deterioration.
- 5) Venting terminals shall not be recessed into a wall or siding.
- 6) Any safety glass removed for servicing must be replaced prior to operating the appliance.
- 7) To prevent injury, do not allow anyone who is unfamiliar with the operation to use the fireplace.
- 8) Wear gloves and safety glasses for protection while doing required maintenance.
- 9) Be aware of electrical wiring in locations in walls and ceilings when cutting holes for termination.
- 10) Under no circumstances should this appliance be modified. Parts that have been removed for servicing should be replaced prior to operating this appliance.
- 11) Installation and any repairs to this appliance should be done by a qualified service person. A professional service person should be called to inspect this appliance annually. Make it a practice to have all of your gas appliances checked annually.
- 12) Under no circumstances should any solid fuels (wood, paper, cardboard, coal etc.) be used in this appliance.
- 13) The appliance area must be kept clear and free of combustible materials, gasoline and other flammable vapors and liquids.
- 14) If the pilot goes out for any reason, turn the control knob to the off position. Wait five minutes before attempting to re-light pilot.
- 15) Never obstruct the flow of ventilation and combustion air to the fireplace.

# INSTALLATION REQUIREMENTS

## SYSTEM SPECIFICATIONS

### Burner Inlet Orifice Sizes:

(2500 TO 6500 feet altitude )

Natural Gas: #46

Propane: #55

Max. Input Rating –	Natural Gas	21,900 Btu/h
	Propane	21,000 Btu/h

Min. Input Rating –	Natural Gas	11,600 Btu/h
	Propane	17,000 Btu/h

Min. Supply Pressure	Natural Gas	5.0" w.c.
	Propane	11.0" w.c.

Max. Supply Pressure	Natural Gas	7.0" w.c.
	Propane	13.0" w.c.

### Manifold Pressure

Natural Gas 3.5" +/-0.2" w.c.

Propane 10" +/-0.2" w.c.

Minimum Gas Line Pipe Size: 1/2"

Electrical: 120 V.A.C. System

(Optional blower) Amperage Rating: 0.62 Amps

Venting: M & G DirectVent Pro (4" x 6 5/8")

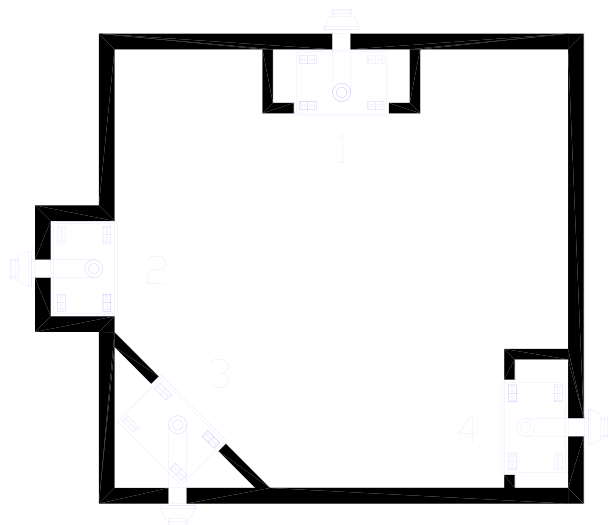
Must use high wind termination on vertical applications (M & G part # 46-DVA-VCH)

## LOCATING THE FIREPLACE

- 1) When selecting a location for your Gas Fireplace, ensure that the clearances outlined in this manual are adhered to strictly.
- 2) The fireplace must be installed on a flat, solid, continuous surface. If the appliance is to be raised off the floor on a platform, it must be securely fastened to a sturdily constructed platform.
- 3) If the appliance is to be installed on carpeting, combustible vinyl tiling, or any other combustible surface other than wood flooring, a 1/2" wood panel must be installed on top of the existing flooring. The panel must extend the full width and depth of appliance.
- 4) The ASC-36 fireplace can be installed into many different applications. See Figure 1 for some examples of common installations.
- 5) Lay out fireplace dimensions on installation site before proceeding with installation. This will ensure proper clearances and assist in identifying potential problems before installation.
- 6) Make sure to review the vent termination system requirements before proceeding.

## DERATING THE APPLIANCE

The fireplace has been designed to operate at elevations approximately 4500 ft. above sea level. No deration of the appliance needs to occur unless the fireplace is installed at elevations below 2500 ft. or above 6500 ft. The burner orifice should then be adjusted one number drill size smaller for higher elevations and one number drill size larger for lower elevations.



*Fig. 1 – Installation Placement Options*

# INSTALLATION REQUIREMENTS

## GAS LINE INSTALLATION

**IMPORTANT:** Gas piping should be installed only by trained and qualified technicians.

The appliance and its individual shut off valve must be disconnected from the gas supply piping system during any pressure testing of that system in excess of 1/2" psi.

The appliance must be isolated from the gas supply piping system by closing its individual shutoff valve during any pressure testing of the gas supply piping system at test pressures equal to or less than 1/2" psi.

The gas line must be brought through the left side of the appliance. The 1/2" service gas line must connect to the flexible appliance connector which is attached to the main control valve. **DO NOT MAKE THIS CONNECTION UNTIL ALL PRESSURE TESTING OF THE GAS PIPING SYSTEM IS COMPLETE. FAILURE TO DO SO WILL RESULT IN DAMAGE TO THE MAIN CONTROL VALVE.**

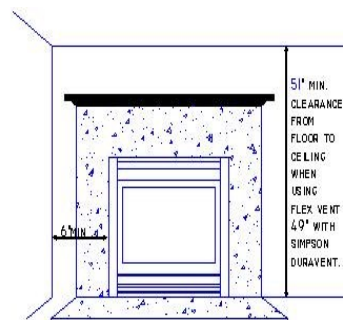
Gas piping must conform to the current National Fuel Gas Code, ANSI Z223.1.

Always consult with the local code official for additional local codes applicable in your area.

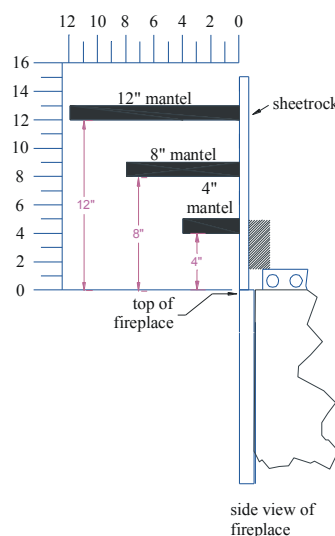
**IMPORTANT:** Always check for gas leaks with a soap and water solution or gas leak detector. Never use open flame for leak testing.

**NOTE:** To properly check gas pressure, both inlet and manifold pressures should be checked using the valve pressure ports on the control valve.

**NOTE:** If the appliance is to be installed on carpeting, vinyl tiling, or any other combustible material other than wood flooring, the appliance must be installed on a metal or wood panel extending the full width and depth of the appliance.



**Fig. 2 – Clearances for appliance facing**



**Fig. 3 – Mantel Clearances**

## CLEARANCES

**IMPORTANT:** Clearances listed in this manual must be adhered to strictly. Failure to maintain these listed clearances of the fireplace and venting system can result in a house fire.

### Clearance to Combustibles from:

Back	0" to spacers
Side	0" to spacers
Floor	0" wood surface
Top	0" to spacers

### Facing and Trim Clearances:

Mantel	6" (see mantel clearance – Fig. 3)
Side Mantel Leg	6"
Ceiling	21" Flex 18" M & G DirectVent Pro

## HEARTH MATERIALS

A Hearth is not mandatory with the ASC-36 series fireplace, but is recommended for aesthetics and for added safety.

Non-combustible materials such as Tile, Brick, Rock, and Slate are recommended. The appliance should not be installed over existing carpeting.

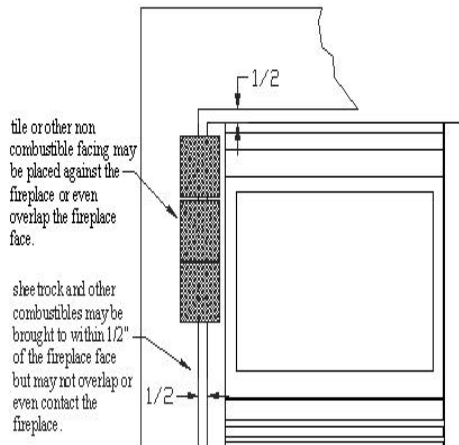
In constructing a hearth, hearth material thickness must be taken into consideration. Avoid using any material that will block the front of the valve access door at the bottom of the fireplace.



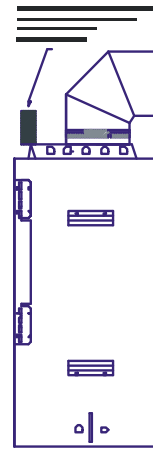
# FRAMING & FINISHING

## FRAMING & FINISHING

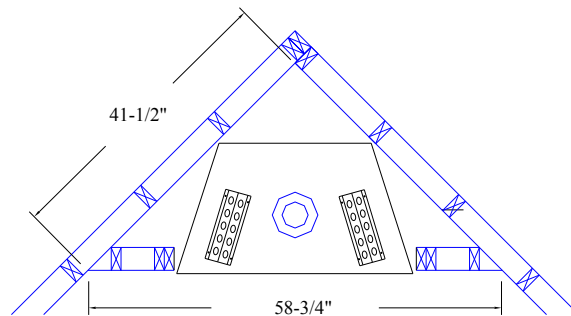
- 1) Determine the total thickness of the facing material (e.g. drywall plus ceramic tiles) to allow the finished surface to be flush with the front of the unit. The ASC-36 series may be installed with the facing material adjacent to the finished flange.



**Fig. 4 – Facing Options**

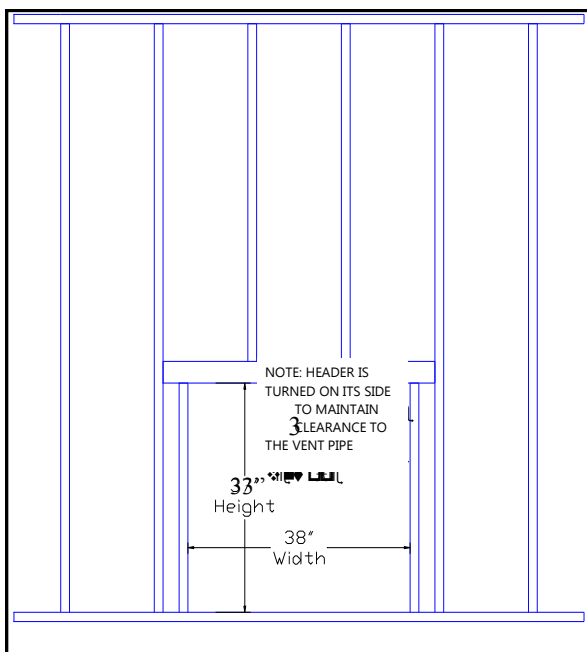


**Fig. 6 – Framing Side View**



**Fig. 7 – Corner Installation**

- 2) Frame in the enclosure for the fireplace. A rough framed opening of 33" high by 38" will be required for installation (see figure 5-7).



**Fig. 5 – Framed Opening**

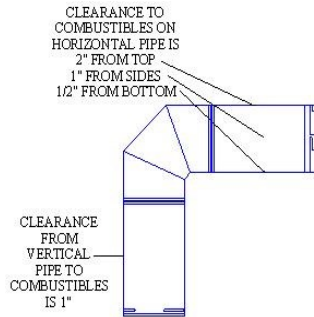
**NOTE:** The fireplace does not have to be completely enclosed in a chase. The clearance on the top of the fireplace is 0" to the spacers. You must maintain clearance from the vent components to combustibles.

**IMPORTANT:** The header above the framed opening must be placed upright so as to allow for proper clearance of the vent pipe. See figure 6.

- 3) If the fireplace is to be installed into an exterior wall. The enclosure or fireplace chase should be insulated to the same degree as the home. Check with your local building official for any additional local requirements (e.g. vapor barriers, drywall). **NEVER INSULATE THE FIREPLACE ITSELF**
- 4) The top of the fireplace should be no closer than 18" with M & G DirectVent Pro pipe, or 21" with flex pipe to the ceiling of the fireplace enclosure.

## VENTING REQUIREMENTS

- 5) Non-combustible material may be brought up to the top and sides of the appliance and be covered with ceramic tile, brick, rock, or other non-combustible finishing materials.
- 6) Steel studs should be used where the clearance from the vent to combustible materials cannot be maintained.



**Figure 8– Clearance to Venting**

### VENTING PLANNING

The ASC-36 uses Simpson DuraVent Co-Axial venting systems. The inner tube vents products of combustion away from the appliance, while the outer tube draws outside air into the combustion chamber. This is a closed system and uses no air from the interior of the home for combustion.

Never attach this fireplace vent to another vent serving another appliance. Each direct vent gas appliance must use its own separate venting system. Common venting systems are prohibited for use with this appliance.

Always vent the fireplace to the outside of the building. Never vent into a garage or enclosed area.

This venting system, in combination with the ASC-36 Direct Vent Gas Fireplace, has been tested and listed as a direct vent gas fireplace heater by Intertek. The location of the termination cap must conform to the requirement in the Vent Termination Locations diagram on page 10 of this manual.

Before proceeding with installation, carefully examine the chart on page 10 of this manual for options regarding proper placement of the vent termination.

### M & G DirectVent Pro Venting Components List (4"x 6 5/8")

<b>Stock #</b>	<b>Description</b>	
46DVA-E45	45 Degree Elbow	
46DVA-E90	90 Degree Elbow	
46DVA-SC	Storm Collar	
46DVA-F6	Standard Flashing	0/12 – 5/12
46DVA-F12	Steep Flashing	6/12 – 12/12
46DVA-WS	Wall Strap	
09183	Firestop Spacer	
46DVA-16A	16" Extension	
46DVA-12	12" pipe	
46DVA-24	24" pipe	
46DVA-36	36" pipe	
46DVA-48	48" pipe	
46DVA-VCH	Vertical Termination Cap	
46DVA-HC	Horizontal Termination Cap	
46DVA-DC	Wall Thimble	
46DVA-SNK14	14" Snorkel Termination Cap	
46DVA-SNK36	36" Snorkel Termination Cap	

#### **Parts not supplied by Simpson**

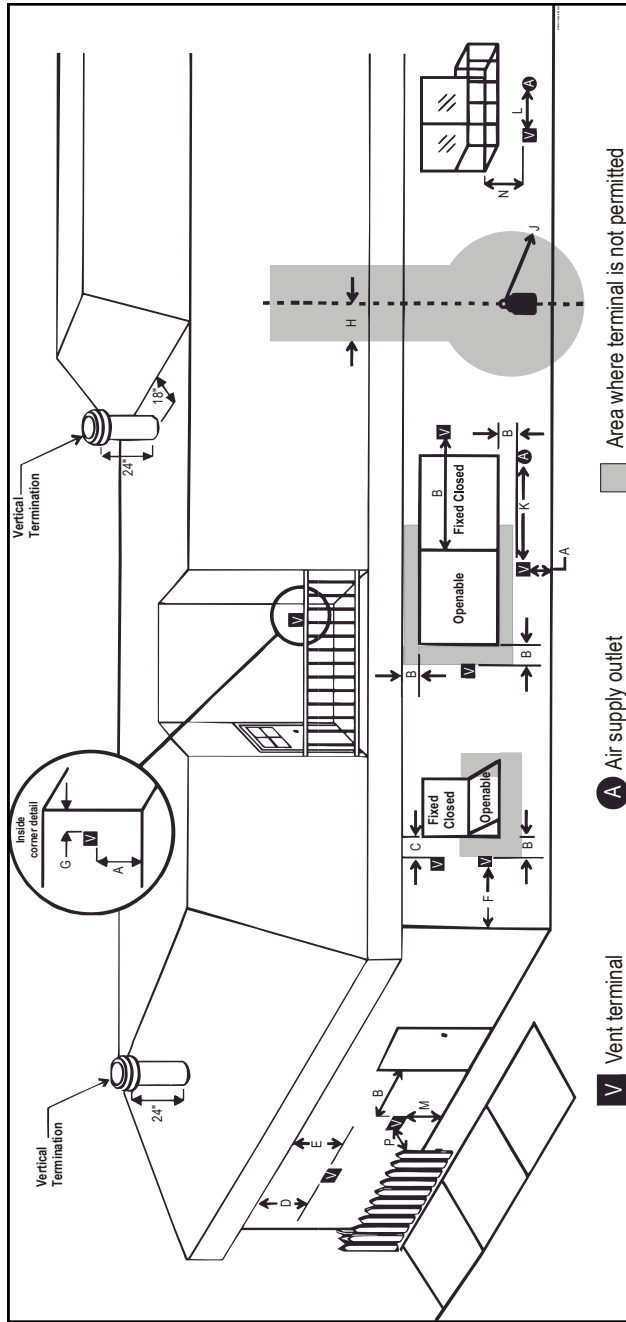
09364	Vent Guard
09366	Masonry wall stand-off

In all cases, adequate combustion and ventilation air must be available for the fireplace. Never block the termination cap. Make sure foliage does not grow around the termination cap. In all cases, follow the clearances listed on page 10 of this manual.

**NOTE: Never connect this gas appliance to a chimney flue serving a separate solid-fuel burning appliance.**

# VENTING REQUIREMENTS

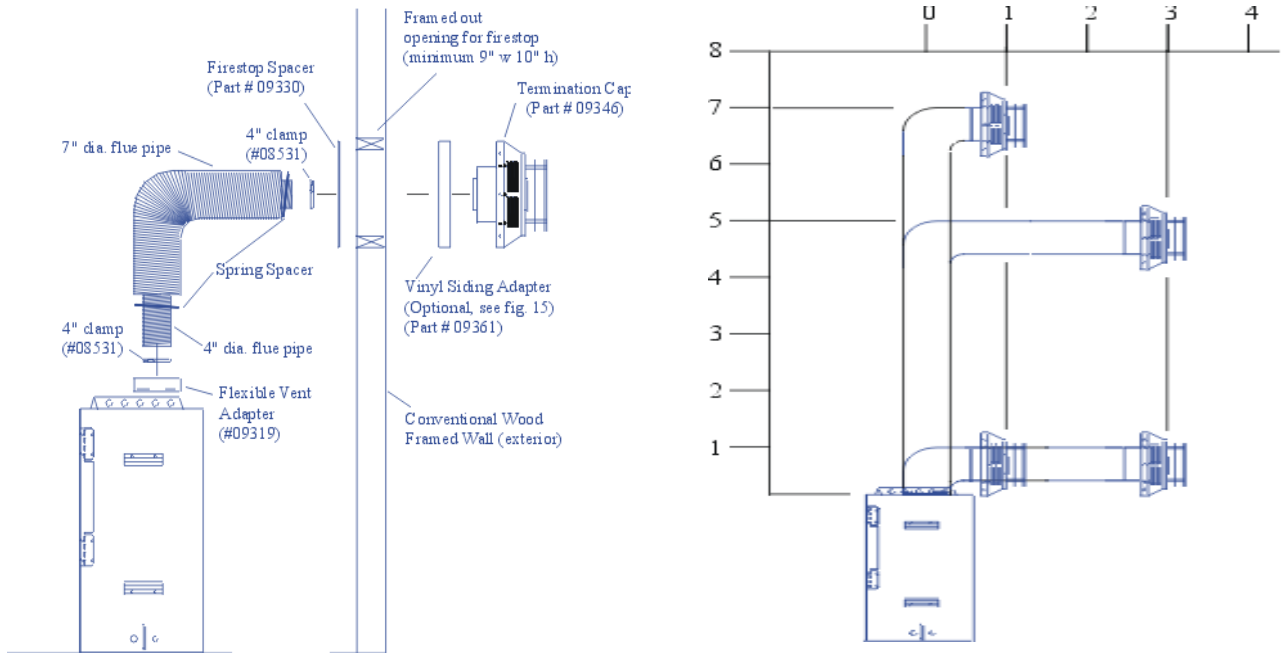
## VENT TERMINATION LOCATIONS



- A**= Clearance above grade, veranda, porch, deck, or balcony (min. 12")
  - B**= Clearance to window or door that may be opened (12")
  - C**= Clearance to permanently closed window (12") (recommended to prevent condensation on window)
  - D**= Vertical clearance to ventilated soffit located above the terminal within a horizontal distance of (24") from the centerline of the terminal (min. 18")
  - E**= Clearance to unventilated soffit (min. 15")
  - F**= Clearance to outside corner (9")
  - G**= Clearance to inside corner (12")
  - H**= Not to be installed above a meter / regulator assembly within (3') horizontally from the centerline of the meter.
  - J**= Clearance to service regulator vent outlet (min. 36")
  - K**= Clearance to non-mechanical air supply inlet to building or the combustion air inlet to any other appliance (12")
  - L**= Clearance to a mechanical air supply inlet (36")
  - M**= Clearance above paved sidewalk or a paved driveway located on public property (min. 84")
  - N**= Clearance under a veranda, porch, deck, or balcony (min. 12")
  - P**= Clearance to obstructions in front of the termination such as bushes, fences, sheds, decks, other structures is (24")
- Note:**
- A vent shall not terminate directly above a sidewalk or paved driveway which is located between two single family dwellings and serves both dwellings.
  - Only permitted if veranda, porch, deck, or balcony is fully open on a minimum of two sides beneath the floor.
  - If the vent termination is accessible a certified guard should be installed.
  - Local codes or regulations may require different clearances.

## VENTING REQUIREMENTS

The venting systems, in combination with the ASC Direct Vent Gas Fireplace, have been tested and listed as direct vent heater system by Intertek. The location of the termination cap must conform to the requirements in the Vent Termination Locations diagram on page 10.



ASC Direct Vent ( Flex ) System Termination Kit ( Part # 09019 ) includes all the parts needed to install the ASC with a maximum run of 4 feet.

- 1) 7" dia. flexible liner ( 4 ft. length )
- 2) 4" dia. Flexible liner ( 4ft. Length )
- 3) Spacers (4)
- 4) Firestop (1)
- 5) Termination cap (1)
- 6) Screws (12)
- 7) Tube of Hi-Temp Sealant (1)
- 8) 4" clamps (2)
- 9) Flexible vent adapter (1)

Notes:

- 1) Liner sections should be continuous without any seams.
- 2) Only Flex Kits purchased from Alpine Gas Fireplace may be used for Flex installations.

This diagram shows all allowable maximum combinations of horizontal runs for flexible vent systems. A maximum of 3' horizontal run with a maximum vent length of 8' is the limitation. The maximum rise is 7' vertical with a 1' horizontal run.

If longer runs are needed the ASC Direct Vent System (flex) # 09021 includes all the parts needed to install the ASC with a maximum 8' run.

- 1) 7" dia. Flexible liner (8 ft. length)
- 2) 4" dia flexible liner (8 ft. length)
- 3) Spring spacers (6)
- 4) Firestop (1)
- 5) Termination cap (1)
- 6) Screws (12)
- 7) Tube of Hi-Temp Sealant (1)
- 8) 4" clamps (2)
- 9) Flexible vent adapter

# VENTING REQUIREMENTS

---

## M & G DIRECTVENT PRO VENTING Horizontal or Vertical Terminations

The M & G DirectVent Pro System offers a complete line of component parts for both horizontal and vertical installations. Read installation instructions included within the termination cap box.

The following is a list of components required for a basic horizontal termination installation.

- 1 Horizontal Termination Cap
- 1 90 Degree Elbow
- 1 6" Pipe
- 1 17" -24" Adjustable Pipe

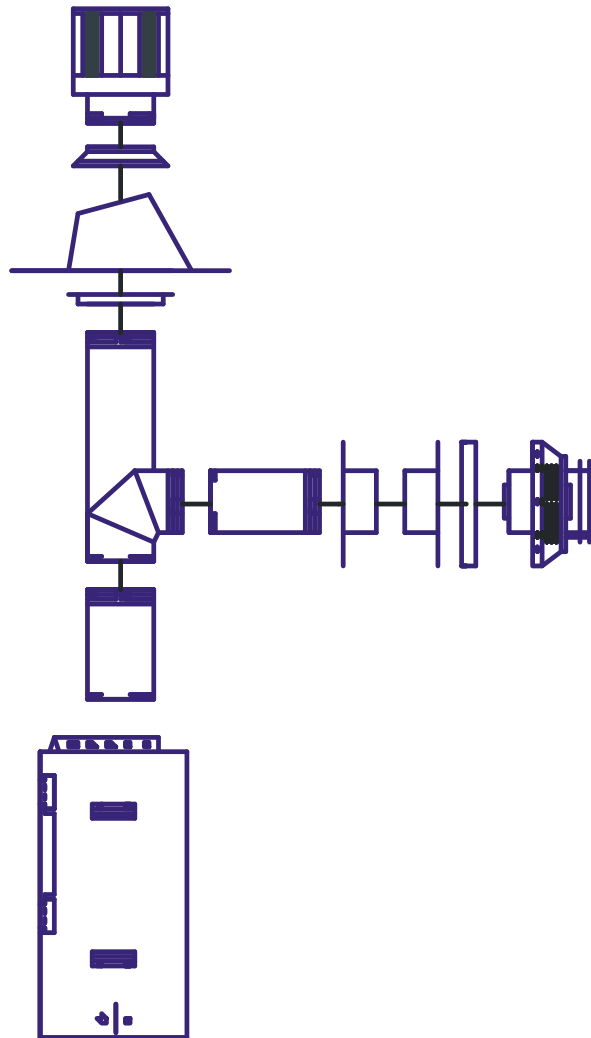
If vinyl or aluminum siding is to be used, a vinyl siding standoff should also be used. If brick or rock is to be applied to the exterior of the home, make sure that the cap is extended to the thickness of the brick or rock. **The Termination must never be recessed into the wall.**

The following is a list of components required for a basic vertical termination installation.

- 1 Vertical Termination Cap
- 1 Storm Collar
- 1 Roof Flashing \*
- 1 36" vent pipe

\* If the home has a chase projecting above the roof line, a roof flashing will not be needed.

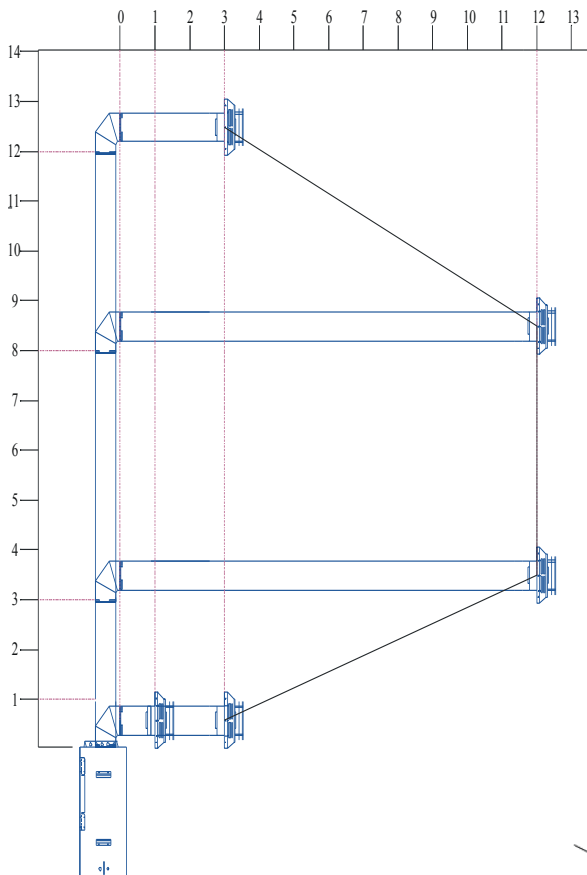
The vertical termination should project above the finished chase a minimum of 10". See local codes for other venting requirements in your area.



# VENTING REQUIREMENTS

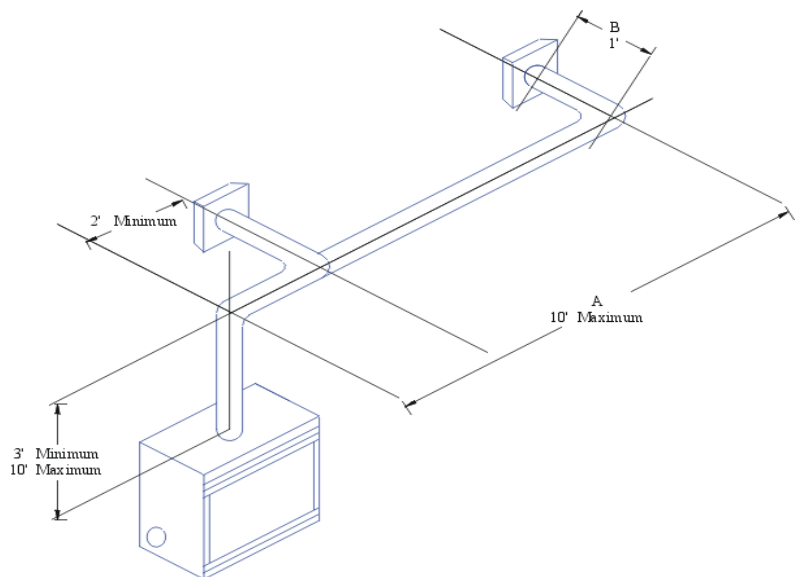
## VENTING REQUIREMENTS – HORIZONTAL TERMINATIONS M & G DIRECTVENT PRO SYSTEM (FOR BOTH PROPANE AND NATURAL GAS)

The diagram shows common combinations of vertical runs with horizontal terminations, using one 90 deg. Elbow.  
For other venting needs, call the manufacturer for approval.



- Horizontal terminations may have up to 2-90° elbows or 4-45° elbows or a combination of the two.
- Horizontal venting must be supported every 3 feet.
- Firestops are required at each floor level and whenever passing through a wall.

**If length “B” is increased, length “A” must be decreased by a corresponding amount.**



A vent guard (part # 46DVA-WG) should be used whenever the termination is lower than the specified

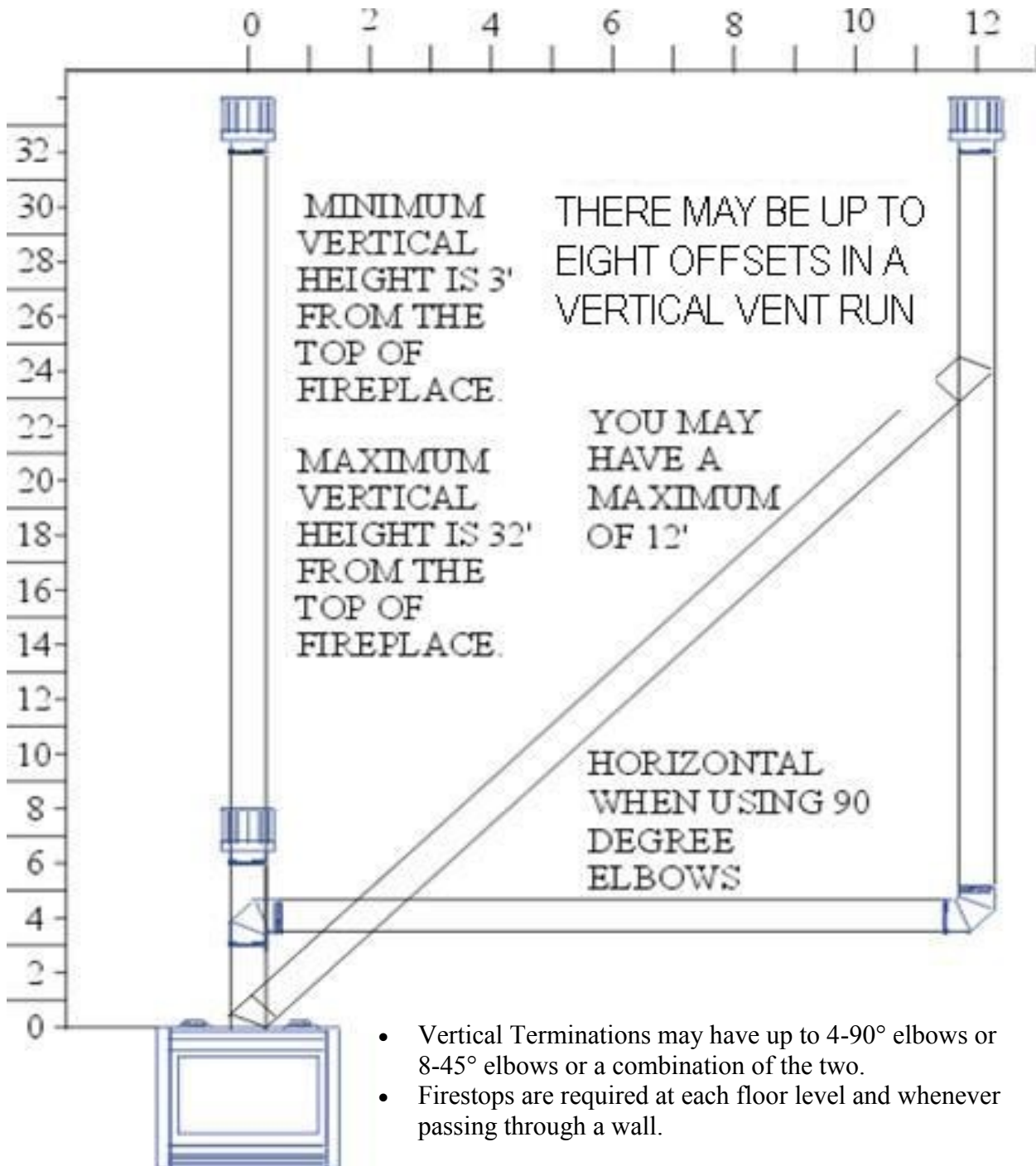
Firestops are required at each floor level and whenever passing through a wall.

All ASC-36 fireplaces use M & G DirectVent Pro 4” x 6 5/8” venting. Other venting pipe or sizes are not approved for use with the ASC-36.

# VENTING REQUIREMENTS

## VENTING REQUIREMENTS – VERTICAL TERMINATIONS M & G DIRECTVENT PRO VENT SYSTEM (FOR BOTH PROPANE AND NATURAL GAS)

The diagrams show some allowable combinations of straight vertical, offset to vertical, and offset to horizontal terminations with M & G DirectVent Pro vent systems. Maximum of four 90 deg. elbows are allowed, and a maximum of eight 45 deg. elbows are allowed in normal installations. Variations need approval through Alpine Fireplace.

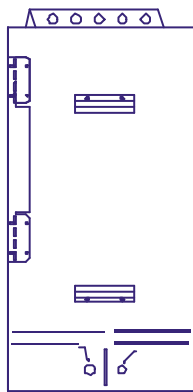




## INSTALLING ELECTRICAL CONTROLS AND WIRING

A 110 volt power supply (grounded) is required to operate the optional blower system. A switched power supply provides a convenient method to turn the blower off. The blower controller is mounted in the control area of the fireplace. **NOTE: If installing an IPI version of the ASC a constant 110 supply needs to be available for the ignition system as well. There is a duplex receptacle provided in the control area of the fireplace that can accommodate this. Consult with your electrician.** The appliance internal electrical box is located on the right side of the appliance. (See figure 9). Use only Blower Kit #431917. Installation instructions for the blower kit are included with the kit.

NOTE: even if the blower is not purchased with the unit, it is still a good idea to wire the appliance for a future fan installation.



**Fig. 9 – Typical Electrical**

**NOTE: Proper grounding must be maintained on the appliance and on the blower assembly.**

**NOTE: Do not allow any wiring to rest against the appliance as fire danger may result.**

**NOTE: DO NOT connect any electricity to the main gas control valve wiring. Valve damage will certainly occur.**

The appliance is equipped with a millivolt system that controls the main gas control valve or an electronic ignition gas valve (IPI). A low voltage two strand wire set needs to be routed from the gas control area of the fireplace to the desired position of the wall switch. Some prefer the switch be co-located with the blower controller. If this choice is made, a DIVIDED double gang electrical box must be installed. (A standard (non-divided) double gang box cannot be used.)

When installing the low voltage wiring it is essential that the wires be marked so as to never have 110 volt /24 volt power attached to them. If power is attached to the control valve, damage will certainly occur.

The appliance generates the millivoltage needed to operate the gas control system. A standard wall toggle switch or a millivolt thermostat may be used to control the main gas valve. **Note: For IPI systems follow the same wiring recommendations specified for millivolt systems.**

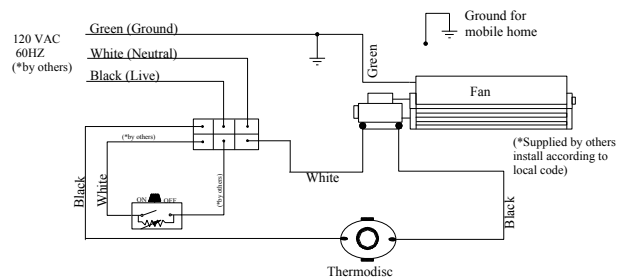
The millivolt system has limitations on the distance it can be installed from the fireplace. The greater the distance from the fireplace, the larger the wire size must be to prevent voltage drop. See the table below for recommendations.

Maximum Length	Wire Gauge
9'	22 ga.
13'	20 ga.
20'	18 ga.
30'	16 ga.
50'	14 ga.

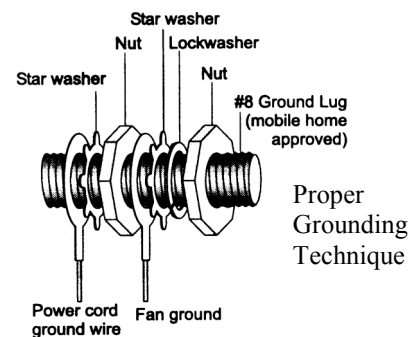
**Millivolt thermostats and remote controlled millivolt thermostats are available from your Alpine dealer.**

See figures 10, 11 and 12 for additional information about wiring your appliance.

**Note: Local codes need to be followed when installing any electrical appliance. If conflicts between this manual and local electrical codes exist, local codes always prevail.**



**Fig. 10– Wiring Schematic**

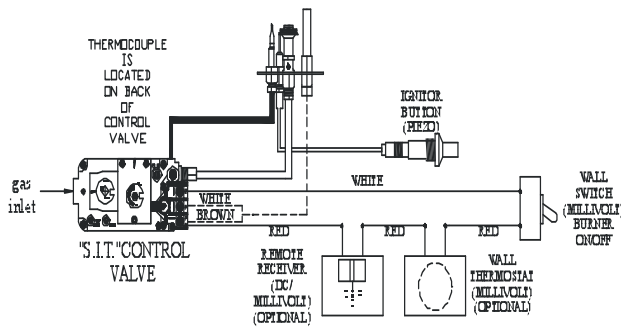


**Fig. 11 – Proper Grounding**



# INSTALLATION INSTRUCTIONS

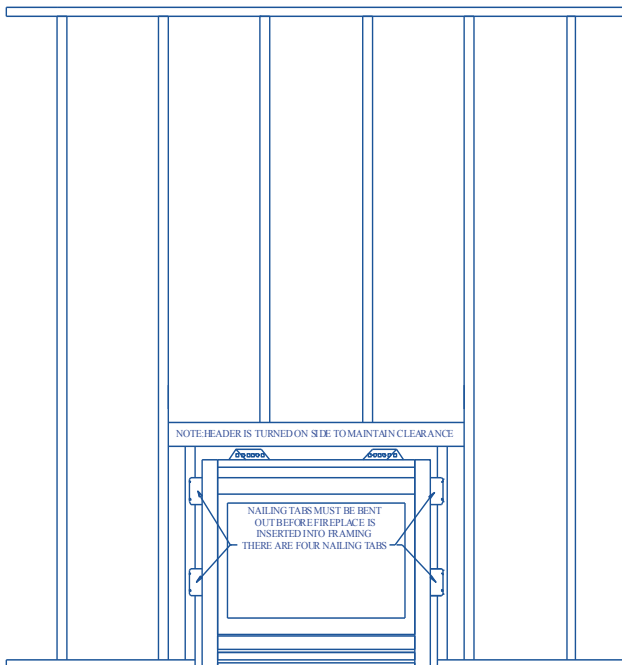
## INSTALLING THE VENTING



**Fig. 12- Millivolt Schematic Wiring**

## SECURING THE FIREPLACE

The Fireplace is equipped with four nailing tabs, which must be bent out before inserting into framed opening (See Figure 13)



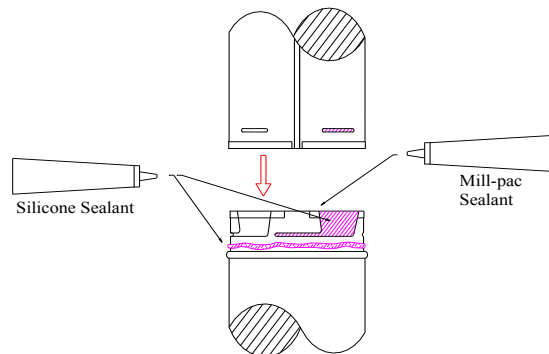
**Fig. 13- Securing the fireplace**

Install the vent system according to the instructions included in the venting kit received with the fireplace.

1. With the unit in the desired location, check to determine if wall studs or roof rafters will obstruct the venting system when attached. If this is the case, you may want to adjust the location of the unit or consult with your framing contractor for options in adjusting the framing.

2. Align the lugs on the pipe with the corresponding indents and fully insert the pipe into the receiving end. Once fully inserted twist the pipe clockwise to lock it into position. This outer joint needs to be sealed and can be accomplished with silicon or preferably with a wrap of foil tape.

**NOTE: All exterior pipe joints must be sealed with Hi-temp sealant or aluminum tape.**



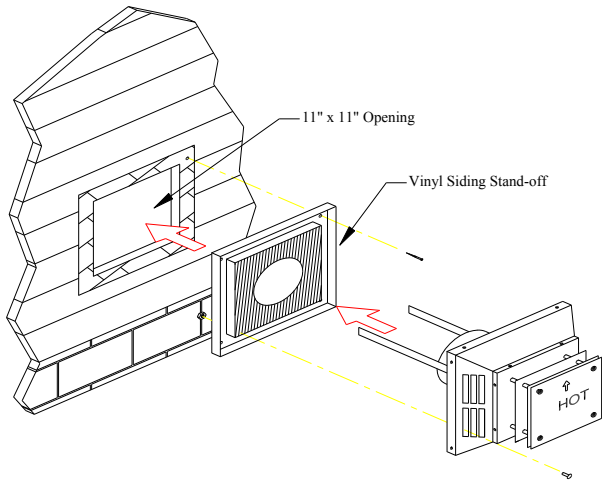
**Fig. 14- Applying Sealant**

**NOTE: Horizontal runs must be supported every three feet. Wall straps should be used for this support.**

3. A 11" x 11" square hole must be cut in the exterior wall. The centerline of this hole should align with the centerline of the horizontal pipe. Cut and frame the 10" hole to support the venting (see figure 15).

**NOTE: The vent must have a 1/4 inch rise for each 1 foot of horizontal run towards the termination. NEVER allow the vent to run downward. This will cause high temperatures and may cause a fire.**

**NOTE: The location of the horizontal vent termination on an exterior wall must meet all local and national building codes. See page 10 of this manual for proper terminal locations.**



**Fig. 15– Termination Framing**

**NOTE:** The arrow located on the face of the termination must be pointing up.

**NOTE:** Clearances to combustibles from the vent pipe must be adhered to. See the table below for proper clearances.

### Horizontal Venting Clearances

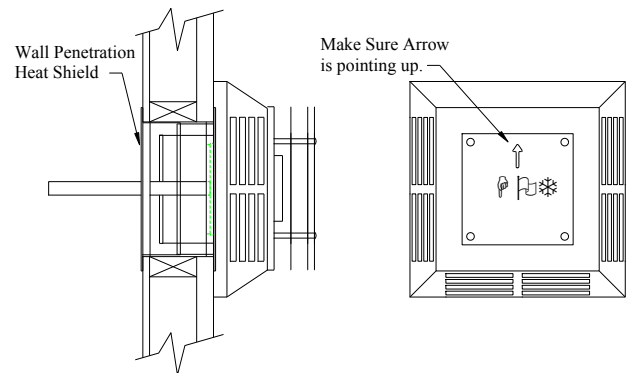
<b>TOP OF PIPE (Rigid)</b>	<b>2” to combustibles</b>
<b>TOP OF PIPE (Flex)</b>	<b>2 1/2” to combustibles</b>
<b>SIDES OF PIPE</b>	<b>1” to combustibles</b>
<b>BOTTOM OF PIPE</b>	<b>1/2” to combustibles</b>

**NOTE:** Do not recess the vent termination into the finish materials. This can block the proper air flow into the cap creating high heat issues and flame failure.

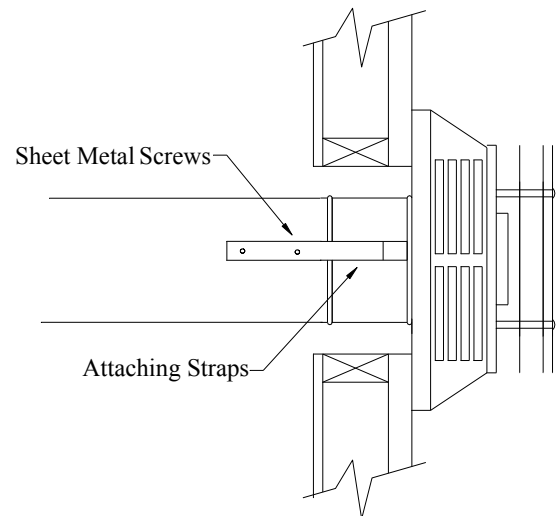
**NOTE:** Horizontal sections of pipe must maintain a 1/4” rise per foot.

4. Before connecting the horizontal run of vent pipe to the vent termination, slide the firestop over the vent pipe (see figure 16, 18).

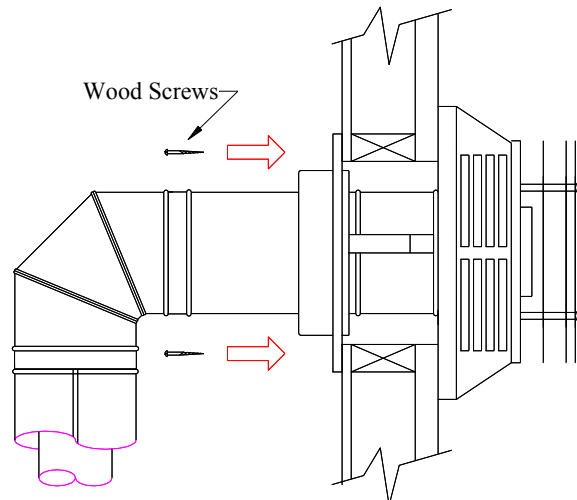
5. Slide the appliance and vent assembly towards the wall, carefully inserting the vent pipe into the vent cap assembly. The vent pipe must extend into the vent cap, resulting in minimum pipe overlap of 1-1/4 inches. Secure the connection between the vent pipe and the vent cap by attaching the two sheet metal strips that extend from the vent cap assembly into the outer wall of the vent pipe. Use two sheet metal screws to connect the strips to the pipe section (see figure 17).



**Fig. 16– Penetration Shield**



**Fig. 17– Attaching the Termination**

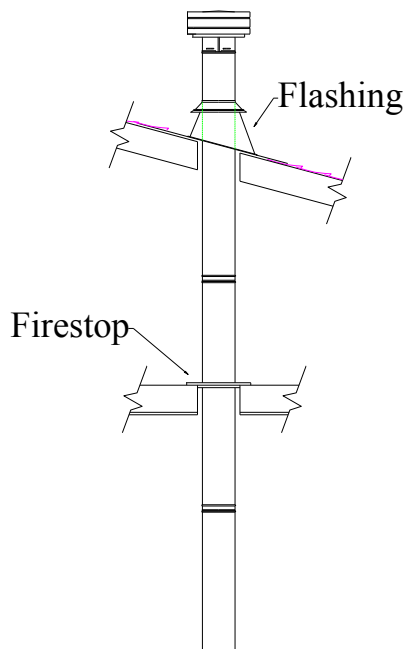


**Fig. 18– Finishing the Heat Shield**

## VERTICAL TERMINATION

1. Maintain the 1" clearances to combustibles when passing through ceilings, roofs, enclosures, attic rafters, or other nearby combustible surfaces. Do not pack air spaces with insulation. See the diagrams on page 13 of this manual for the maximum vertical rise of the venting and the maximum horizontal offset limitations.

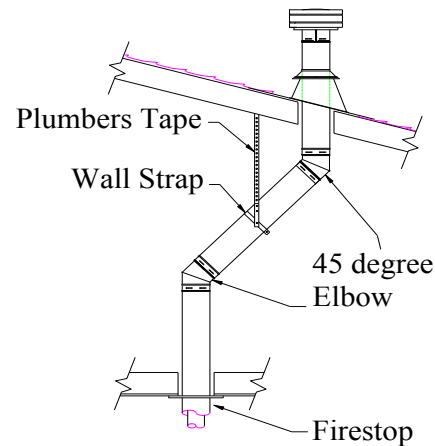
2. With the gas appliance in its desired location, drop a plumb bob from the ceiling to the position of the appliance flue exit and mark the location where the vent will penetrate the ceiling. Drill a small hole at this point. Next, drop a plumb bob from the roof to the hole previously drilled in the ceiling and mark the spot where the vent will penetrate the roof. Determine if ceiling joists, roof rafters, or other framing will obstruct the venting system. You may choose to relocate the fireplace or offset the venting to avoid cutting framing members (see figures 19 and 20).



**Fig. 19– Vertical Venting**

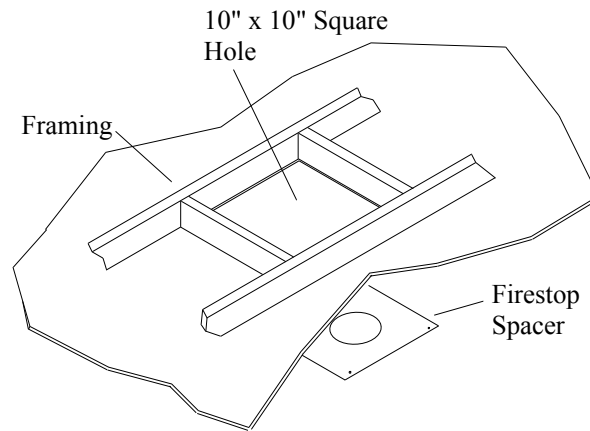
3. A Firestop spacer must be installed in the floor or ceiling of every level. To install the Firestop spacer in a flat ceiling or wall, cut a 10 inch square hole. Frame the hole as shown in Figure 21 and install the firestop.

4. Assemble the desired lengths of pipe and elbows. Ensure that all pipes and elbow connections are in the fully twist-locked position and sealed with aluminum tape or silicon on the exterior. An air tight seal must be created.



**NOTE:** Support must be provided to prevent the weight of the pipe from breaking the offsets.

**Fig. 20– Venting Offsets**



**Fig. 21– Firestop Installation**

5. Cut a hole in the roof centered on the small drilled hole placed in the roof in Step 2. The hole should be of sufficient size to meet the minimum requirements for clearance to combustibles of 1".

6. Continue to complete the assembly of the pipe lengths.

7. Ensure that the vent is vertical and secure the base of the flashing with roofing nails. Slide the storm collar over the pipe section and seal with a roofing sealant.

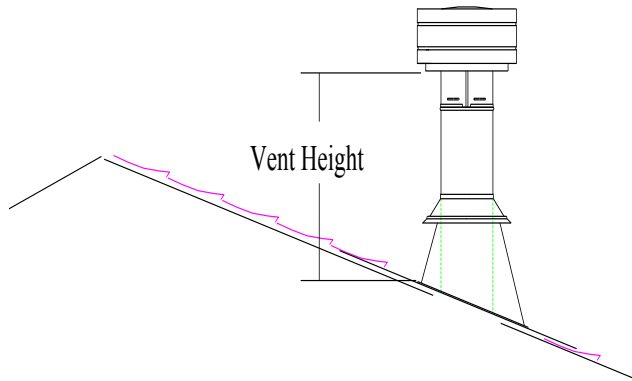
8. Install the vent cap by twist locking it in place.

# INSTALLATION INSTRUCTIONS

## PRIMARY AIR ADJUSTMENT

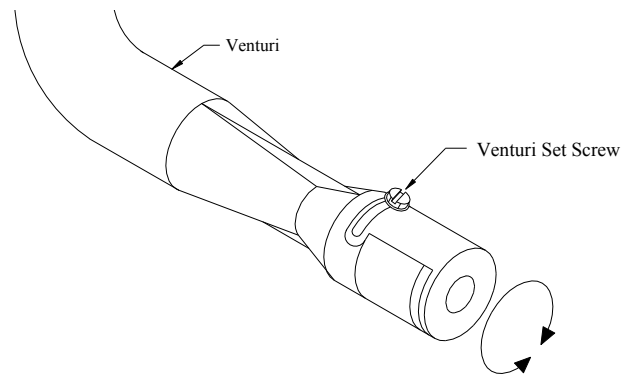
**NOTE: The following assumes that the gas line has been connected and leak tested by a qualified technician.**

The primary air adjustment is preset at the factory. Little or no adjustment should be required for natural gas. Propane will perform very differently at different altitudes and from different fuel suppliers. Some adjustment will most likely be needed for an appliance burning propane. See figure 22.



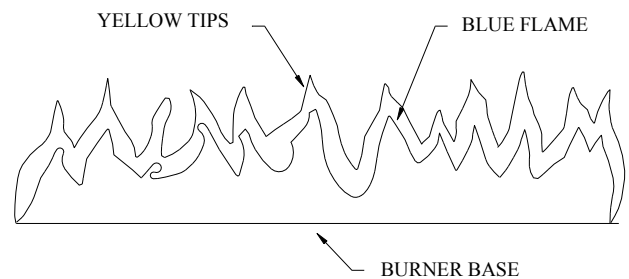
It is recommended that the vent pipe extend out past the roof line a minimum of 18" past the highest point of exit. This is a minimum recommendation and you should always check with your local authority for requirements specific to your area.

**NOTE: If the pipe is to pass through any closets or storage spaces, the vent must be enclosed. The vent must never be allowed to come in contact with combustibles.**



**Fig. 22– Primary Air Adjustment**

The flame should have a blue base with yellow tips. A dark orange flame with sooting and black smoke indicates a lack of primary air. The primary air shutter is located in the firebox under left hand side of the burner. Adjust the primary mixture by loosening the set screw on the air shutter and increasing the opening for more air and a bluer / cleaner flame, or by closing the air shutter for a more yellow flame. See figure 23 for proper flame characteristics.



**Fig. 23– Proper Flame Characteristics**

## LOG INSTALLATION

**NOTE:** Proper log installation is very important. Read the instructions below carefully and refer to the diagrams. If the logs are broken do not use the fireplace until they are replaced. See the replacement parts list in this manual to order the proper replacement logs. The logs are fragile and must be handled with care. **DO NOT FORCE THE LOGS INTO POSITION.**



**Fig. 24– Rear Log Placement**

1. Place the larger log on the grate centered and approximately 1/2" from the back wall. ( See figure 24 )



**Fig. 25– Ember Placement**

2. Place dime sized pieces of ember material around Center burner ports. Use caution not to cover burner Ports. You may also add ember material in front of the right and left side of the burner to add to the look of the burner. Do not cover any of the main burner ports.



**Fig. 26–Rear & Right Twig**

3. Place the right side twig with the split face rearward. The log should be placed approximately 1/2" from the side wall and touching the right grate tine. The small end of the log should be towards the center and not covering any burner ports. (See Figure 26 )



**Fig. 27–Rear & Right & Left Twig**

4. Place the left hand side twig with the split face forward. It should be approximately 1/2" from the side wall and touching the left grate tine. The small end of the log should be towards the center and touching the right side twig end. ( See Figure 27 )



**Fig. 28– Top Twig**

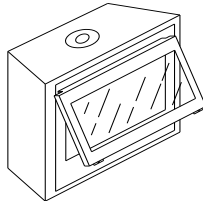
5. Place the small twig to the left side resting on the front, left log and the back log. The longer twig is placed on the right side resting in a similar fashion. The logs must be positioned properly to create the proper burning pattern. ( See Figure 28 )



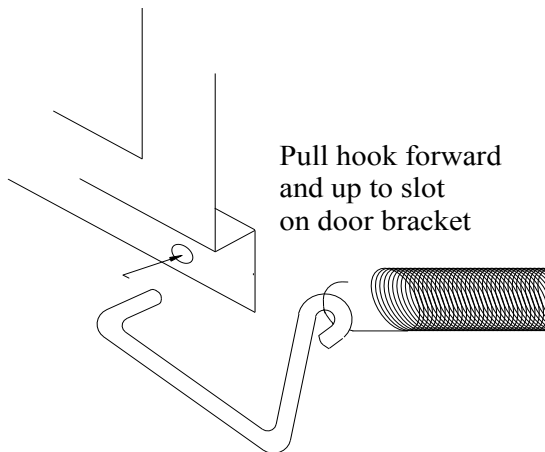
# INSTALLATION INSTRUCTIONS

## GLASS REMOVAL /INSTALLATION

- 1) If in place remove lower control door and top louver by lifting up and then pulling out towards you.
- 2) Reach into the control area below the glass panel and find the door hook on the right side and pull it straight out releasing the hook from the receiving hole in the glass frame. ( See figure 30 below ) Lower the hook and carefully lay it down.
- 3) Repeat this step for the left side hook.
- 4) Carefully pull the bottom of the glass frame out towards you about four inches and with hands on both sides of the glass frame lift the frame up and off of the fireplace .
- 5) Set the glass assembly out of the way so it does not get broken.
- 6) When installing the glass assembly first make sure the gasket is intact and has not rolled off of the glass.
- 7) Reverse the previous steps making sure the glass is seated squarely against the fireplace chassis.



**Fig. 29– Door Assembly Installation**

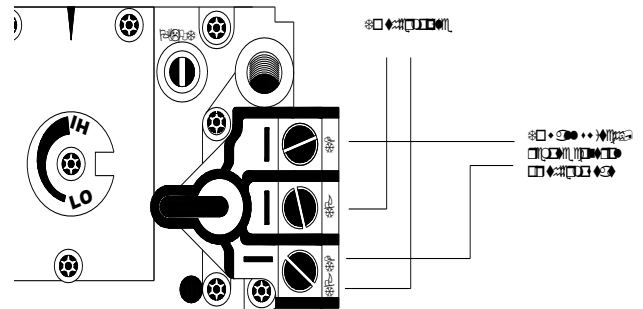


**Fig. 30– Door Locking Assembly**

## REMOTE CONTROL (Optional)

An Alpine Remote Control Kit (08501 or FDC-502) may be installed on this fireplace. The remote control kit comes with a hand held transmitter, a receiver and a wall mounting plate. The FDC-502 is a basic on and off remote. The 08501 transmitter acts as a thermostat and can be used to maintain a room temperature. The remote controls are battery powered and will require periodic maintenance to keep the system working properly.

1. Choose a convenient location on the wall to install the receiver unit. A deep electrical box should be used. Run wires from the fireplace valve to the desired wall location. See the millivolt lead table on page 15 of this manual for maximum wire runs.
2. Connect the wires to the gas valve (see figure 31).
3. Follow the installation instructions included with the remote control kit.



**Fig.31– Gas Valve Connection**

## WALL THERMOSTAT (Optional)

A wall thermostat may be installed if desired. Follow the wire routing instructions on page 15 of this manual. Alpine offers a digital, wall thermostat (part # 08261). See your Alpine dealer for additional information on the thermostat.

**NOTE: If a Wall Thermostat is desired, there is no need to install a wall junction box. The thermostat wire will simply need to be routed to the desired location of the wall thermostat and made accessible through a small hole in the drywall. Thermostats are surface mounted on the finished wall and should not be installed until painting is complete.**

# OPERATING INSTRUCTIONS

## FOR YOUR SAFETY READ BEFORE LIGHTING

This appliance must be installed in accordance with local codes, if any;  
If not, follow the current ANSI Z223.1

**WARNING:** If you do not follow these instructions exactly, a fire or explosion may result causing property damage, personal injury or loss of life. Improper installation, adjustment, alteration, service or maintenance can cause injury or property damage. Refer to the owner's information manual provided with this appliance. For assistance or additional information consult a qualified installer, service agency or gas supplier.

- A) This appliance has a pilot which must be lighted by hand. When lighting the pilot, follow these instructions exactly.
- B) BEFORE LIGHTING smell all around the appliance area for gas. Be sure to smell next to the floor because some gas is heavier than air and will settle on the floor.
- C) Use only your hand to push in or turn the gas control knob. Never use tools. If the knob will not push in or turn hand, don't try to repair it, call a qualified service technician. Force or attempted repair may result in a fire or explosion.
- D) Do not use this appliance if any part has been under water. Immediately call a qualified service technician to inspect the appliance and to replace any part of the control system and any gas control which has been under water.

### WHAT TO DO IF YOU SMELL GAS

- Do not try to light any appliance
- Do not touch any electrical switch, do not use any phone in your building.
- Immediately call your gas supplier from a neighbors phone. Follow the gas suppliers instructions.
- If you cannot reach your gas supplier, call the fire department.

This appliance needs fresh air for safe operation and must be installed so there are provisions for adequate combustion and ventilation air.

**CAUTION:** Hot while in operation. Do not touch. Keep children, clothing, furniture, gasoline and other liquids having flammable vapors away. Keep burner and control compartment clean. See installation and operating instructions accompanying appliance.

## LIGHTING INSTRUCTIONS

STOP! Read the safety information above on this label.

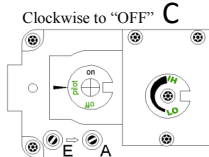
- 1) Push in gas control knob slightly and turn clockwise **C** to "OFF". Knob cannot be turned from "PILOT" to "OFF" unless knob is pushed in slightly. Do not force.
- 2) Wait five (5) minutes to clear out any gas. If you then smell gas STOP! Follow "B" in the safety information above on this label. If you don't smell gas, go to the next step.
- 3) Turn knob on the gas control
- 4) Push in control knob all the way and hold in. Continually push and release the red button on the spark ignitor until pilot lights. Continue to hold the control knob in for about 1/2 minute after the pilot is lit. Release knob and it will pop back up. Pilot should remain lit. If it goes out, repeat steps 1 to 4. If knob does not pop up when released, stop and immediately call your service technician or gas supplier. If the pilot will not stay lit after several tries, turn the gas control knob to "OFF" and call your service technician or gas supplier.
- 5) Turn gas control knob counterclockwise **D** to "ON"
- 6) Use the toggle switch to operate main burner.

Pilot Burner

THERMOPILE

-

•



## TO TURN OFF GAS APPLIANCE

- 1) Push in the gas control knob slightly and turn clockwise **C** to "OFF". Do not force.
- 2) Turn off all electric power to the appliance if service is to be performed.

DO NOT REMOVE THIS INSTRUCTION PLATE

LX-999-1

Lighting instruction plate for millivolt control.

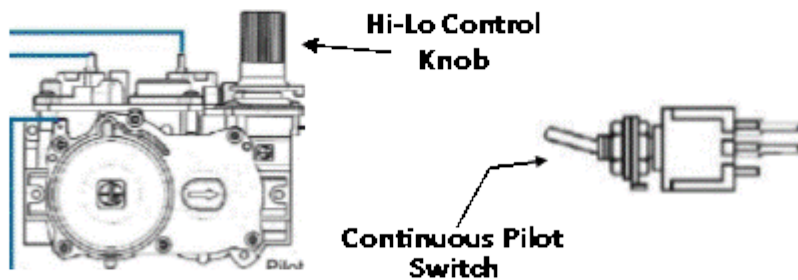
**FOR YOUR SAFETY READ BEFORE OPERATING**

**WARNING:** If you do not follow these instructions exactly, a fire or explosion may result causing property damage, personal injury or loss of life.

- A) This appliance is equipped with an ignition device which automatically lights the pilot. **Do Not** try to light the pilot by hand.
- B) **BEFORE OPERATING** smell all around the appliance area for gas. Be sure to smell next to the floor because some gas is heavier than air and will settle on the floor.  
**WHAT TO DO IF YOU SMELL GAS**
  - Do not try to light any appliance
  - Do not touch any electrical switch, do not use any phone in your building.
  - Immediately call your gas supplier from a neighbor's phone. Follow the gas supplier's instructions.
  - If you cannot reach your gas supplier, call the fire department.
- C) Do not use this appliance if any part has been under water. Immediately call a qualified service technician to inspect the appliance and to replace any part of the control system and any gas control which has been under water.

**LIGHTING INSTRUCTIONS**

- 1) Stop! Read the safety information on this label above.
- 2) Verify power from power supply or back up battery.
- 3) If continuous pilot switch is up the ignition device in the appliance will start trying to ignite the pilot. Do not attempt to manually light the pilot. If the switch is down the pilot will light when the appliance is turned on.
- 4) Turn on/off switch to the on position. Burner will light if continuous pilot is on or pilot ignition will begin and burner will ignite after pilot is confirmed.
- 5) If the fireplace does not operate follow the instructions "TO TURN OFF GAS TO APPLIANCE" and call your service technician or gas supplier.



**TO TURN OFF GAS APPLIANCE**

- 1) Turn switch to off.
- 2) Disconnect appliance from power if service is to be performed.
- 3) Shut off gas supply to gas control valve.

**DO NOT REMOVE THIS INSTRUCTION PLATE**

Lighting instruction plate for IPI systems.



## OPERATING INSTRUCTIONS

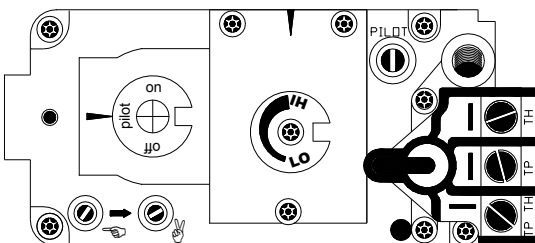
- 1) The first fire in your fireplace will help cure the painted surfaces. To ensure that the paint is properly cured, it is recommended that you burn your fireplace for at least four (4) hours the first time. When first operated, the unit will release an odor caused by the curing of the paint and other components. Smoke detectors may go off during this initial break-in period. Open windows or doors in the area of the fireplace to allow for ventilation during the break-in period.

**NOTE: When the fireplace is cold and the appliance is first lit, it may cause condensation and fog the glass. This condensation is normal and will disappear in a few minutes as the glass heats up.**

- 2) Read and understand these instructions completely before attempting to operate this appliance.
- 3) Be sure that all items in this installation portion of this manual have been properly completed in compliance to local codes and this manual.
- 4) The unit should never be turn off and then on again without a minimum of a 60 second wait.

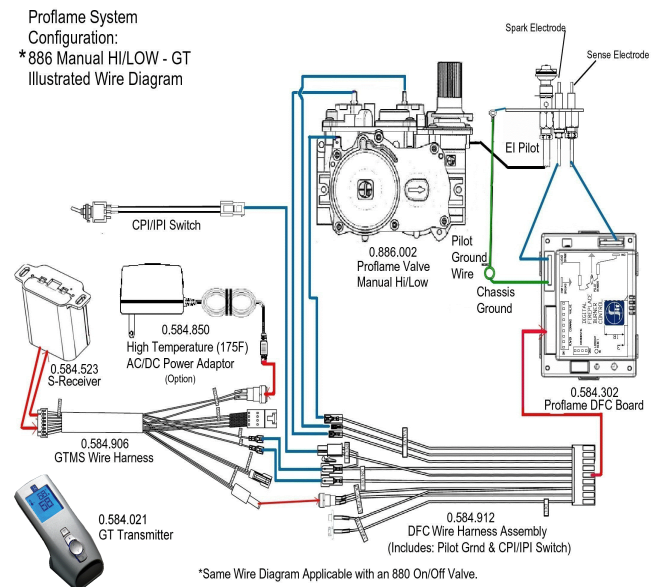
## LIGHTING INSTRUCTIONS FOR MILLIVOLT

- 1) Turn burner OFF using the "ON/OFF" switch or by turning the thermostat or remote control to the "OFF" position.
- 2) Turn gas control knob so indicator points to "OFF" position and allow 5 minutes for any gas in the combustion chamber to escape.
- 3) Turn the gas control knob counterclockwise so the indicator points to the "PILOT" position. Depress the gas control knob fully. Depress the igniter button several times until the pilot lights. After approximately one minute, release the gas control knob. The pilot flame should continue to burn. If the pilot does not remain lit, repeat this step.
- 4) When the pilot stays lit, turn the gas knob further counterclockwise to the "ON" position.
- 5) Use the wall switch, thermostat or remote control to turn on the unit.
- 6) Rotate the Hi-Lo knob on the gas control valve to adjust the flame height of your fireplace. This will also correspond with the heat output of your fireplace.



## LIGHTING INSTRUCTIONS FOR IPI

- 1) Verify the power supply is providing the ignition module with power or the battery pack is providing power to the ignition module.
- 2) Wait five minutes to let any gas in the combustion chamber escape.
- 3) You may turn on the fireplace with the included on /off switch provided or with the wall switch or other means which were installed at the time of installation. The ignition module should attempt to light the pilot at this time and upon confirmation of the pilot the main burner should ignite.
- 4) There has also been provided a continuous pilot switch which it is recommended that the fireplace be kept in the continuous pilot mode when the daytime temperatures do not get above 50° F.. This will keep the fireplace warm and encourage proper draft when the fireplace is turned on.
- 5) Rotate the Hi-Lo knob on the gas control valve to adjust the flame height of your fireplace. This will also correspond with the heat output of your fireplace.
- 6) In the event of a power outage your fireplace can continue to function if there are good batteries in the battery pack located in the gas control area.



## SHUTDOWN PROCEDURE

- 1) Use the wall switch, thermostat or remote control to turn off the main burner.
- 2) Turn the main gas control clockwise to the "OFF" position
- 3) Turn off all electricity to the appliance if service/maintenance is to be performed.

---

## FIREPLACE MAINTENANCE

- 1) Before performing any service on the appliance, ensure the gas has been completely shut off, the unit cooled, and the electricity shut off to the appliance and the batteries removed from the battery holder in the gas control area.
- 2) The burner and valve control compartments must be cleaned annually. A vacuum with a brush attachment works well. The logs should be cleaned gently with a soft bristle brush. The logs are fragile and are easily damaged.
- 3) Clean the appliance with a damp cloth. Never use abrasive cleaners. The glass should be cleaned with a gas fireplace glass cleaner. The glass will slowly build a thin white film on the inside. This film is normal and can be removed using a fireplace glass cleaner available at your local dealer.
- 4) The fireplace is finished with a high temperature paint. If your fireplace needs to be repainted or touched up. See your local dealer for StoveBright Paint.
- 5) The appliance and the venting system must be inspected before use, and at least annually, by a qualified field technician. The vent must be inspected to ensure that the flow of combustion air and ventilation air is not obstructed.
- 6) Do not use this appliance if any part has been under water. Immediately call a qualified service technician to inspect the appliance and to replace any part of the control system and any gas control which have been under water.
- 7) If the venting system is disassembled for any reason it must be properly resealed as per the instructions in the venting section of this manual. Never operate the appliance if the venting system is not properly sealed.

## BRASS & STAINLESS TRIMS

The brass trim on the fireplace require little maintenance. If the pieces get fingerprints or dust build-up, you should use a damp cloth only for cleaning. DO NOT use cleaners of any type on the brass or stainless. Be sure to clean any fingerprints off of the unit BEFORE turning the fireplace on.

## SERVICE INFORMATION

### GLASS GASKET

If the glass gasket needs to be replaced, contact your local dealer for the correct replacement part. Never attempt to use any gasket, other than the correct replacement on the glass. Use part # 07840.

### GLASS PANEL

**WARNING: Do not slam the door or strike the tempered panel with a heavy or hard object. Breakage of the panel will result.**

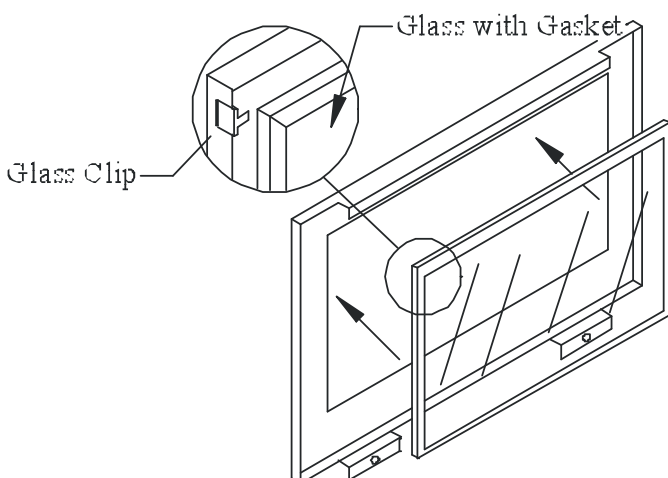
**WARNING: Do not operate the appliance with the glass front removed, cracked, or broken. Replacement of the glass panel should be done by a qualified service technician.**

Your fireplace is supplied with a 30 1/2" x 21 3/4" 16" by 1/4" thick tempered glass. If your glass requires cleaning, you should obtain an approved fireplace glass cleaner available at your fireplace dealer. Do not use abrasive cleaners to clean the glass panel. **DO NOT CLEAN THE GLASS WHEN IT IS HOT!**

In the event that your glass breaks purchase your replacement from an authorized Alpine dealer. See the replacement parts list for ordering information. Follow the replacement steps below.

#### Replacing the Glass

- 1) Remove the door by releasing the glass clip springs found in the valve chamber area.
- 2) Always wear gloves to protect yourself from sharp edges.
- 3) Remove all loose or damaged glass from the frame.
- 4) Insert the new glass panel with the gasket preinstalled so that the liftable fold of gasket is facing inside the fireplace.
- 5) Use the 4 existing Tinnerman glass clips to hold the glass in place, with retaining tab under gasket fold



### THERMOPILE / THERMOCOUPLE

- 1) Remove the glass door
- 2) Open the bottom valve chamber
- 3) Double check to make sure gas supply is turned off
- 4) Disconnect the thermocouple by loosening nut from the valve with a 9mm wrench. Disconnect the thermopile by loosening 2 screws marked TP on the valve.
- 5) Remove the two 1/4" screws holding the pilot assembly in its bracket. Gently lift the pilot assembly up 2".
- 6) Disconnect the thermopile and thermocouple with a 7/16" wrench.
- 7) Replace the thermocouple or thermopile.
- 8) Reinstall in reverse order.

### LOG REPLACEMENT

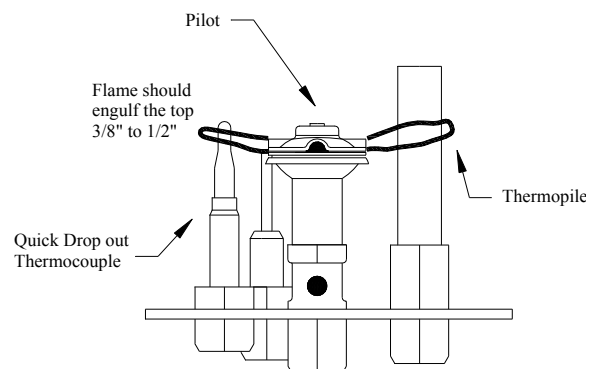
The fireplace must never be operated if the logs are broken or damaged. To replace the logs follow the steps below.

- 1) Turn off the gas supply and allow the fireplace to cool completely before servicing.
- 2) Open the glass door panel.
- 3) Gently remove the logs from the firebox. Be sure to note their position.
- 4) Obtain the proper replacement for the broken log.
- 5) Replace the log set and close the door panel.

**NOTE: It is critical that the logs are placed in the proper locations. Improper positioning of logs may create carbon build-up and will severely alter the unit's performance. Poor appliance performance caused by improper log installation is not covered under warranty.**

### INSPECTING THE PILOT / BURNER

Periodic inspection of the pilot and main burner is required. Figure 23, located on page 19 of this manual, illustrates proper flame characteristics for the main burner. See figure 32 below for proper pilot flame characteristics.



**Fig. 32— Pilot Flame Characteristics**

---

ASC 36  
REPLACEMENT  
PARTS LIST

07621	Log Set (4 Logs)
07655	Embers
05149	Glass Clips
07840	Glass Gasket
06623	Glass
04080	Door Spring
04081	Door Spring Hook
04036	S.I.T. Valve NG
08991	S.I.T. Valve LP Conversion
04038	Pilot Assembly –N.G.
04039	Pilot Assembly– Propane
04040	Replacement Thermocouple
04046	Piezo Igniter Button
05006	IPI Gas Valve NG
05013	IPI Gas Valve LP Conversion
05007	IPI Pilot NG
05012	IPI Pilot Orifice LP
05014	IPI ac/dc power adapter
05008	IPI Ignition Module
05009	IPI Wire Harness
35100	Burner Assembly With Grate
35527	Deflector Black
35533	Vent Door
35532	Valve Door
35516	Glass Trim-Standard
35101	Heat Deflector
08261	Programmable Thermostat
08501	Remote Control With Thermostat
FDC-502	Remote Control on/off Only
431-917	Fan Kit
08218	Fan Replacement
09232	Fan Speed Control

## SERVICE INFORMATION

**NOTE:** Before troubleshooting the gas control system, be sure the external gas shut off is in the "ON" position.

**WARNING:** TO PREVENT INJURY OR PROPERTY DAMAGE, REMOVE THE GLASS PANEL FROM THE APPLIANCE BEFORE DOING ANY WORK ON THE GAS CONTROL SYSTEM. FAILURE TO DO SO COULD RESULT IN GAS BUILD-UP AND EXPLOSION.

<b>MILLIVOLT GAS SYSTEM TROUBLESHOOTING</b>		
<b>PROBLEM</b>	<b>POTENTIAL CAUSES</b>	<b>CORRECTIVE ACTION</b>
<p>Spark igniter will not light pilot.</p> <p>Pilot will not stay lit after carefully following lighting instructions</p>	<p>Piezo wire loose Defective Piezo ignitor Piezo wire grounding out Electrode is grounding out Electrode is sparking at wrong location</p> <p>Defective thermopile Defective thermocouple Thermopile / thermocouple grounding out. Loose thermopile leads TP-THTP on valve</p> <p>Defective automatic gas valve</p>	<ul style="list-style-type: none"> <li>● Check for spark at electrode and pilot. If no spark, disconnect wire at electrode, put wire to ground, and try igniter again. If still no spark follow the Piezo wire to Piezo igniter to see where grounding may be occurring.</li> <li>● Position electrode into pilot so gas may be able to contact spark</li> <li>● Check pilot flame, must impinge on thermopile and thermocouple</li> <li>● Clean and/or adjust pilot so pilot is enveloped around thermopile and thermocouple.</li> <li>● Be sure wire connections at gas valve terminals are tight and thermopile and thermocouple are fully inserted into pilot bracket</li> <li>● Check switch wires to make sure they are not grounding</li> <li>● Check thermopile with millivolt meter. Take reading at thermopile terminals of valve TP-TPTH. Should read 250 millivolts minimum while thermopile has pilot flame on it.</li> <li>● With the pilot ignited, turn valve knob to on. Take reading at TP-TPTH with on/off switch in on position. Reading should be 100mv or greater. If reading is OK and pilot does not hold, replace the gas valve.</li> </ul>
<p>Pilot burning, no gas to burner. Valve knob is on Wall switch is on</p>	<p>Valve wire connections are loose Valve wires are defective</p>	<ul style="list-style-type: none"> <li>● Check two way switch / wall switch for proper connections. Jumper wire across terminals at wall switch. If burner comes on, replace switch.</li> <li>● If okay, jumper wire at valve (TH-THTP). If unit turns on, replace wires or check for loose connections</li> </ul>
<p>Frequent pilot out- age problems</p>	<p>Pilot flame may be too low or blowing high causing the pilot safety to drop out Wall switch wires may be grounding out. Thermopile or thermocouple may be grounding out.</p>	<ul style="list-style-type: none"> <li>● Clean and adjust pilot for maximum flame impingement on thermopile and thermocouple.</li> <li>● Trace wires from valve to wall switch for possible damage or grounding against appliance or gas supply.</li> <li>● Trace thermopile wires from valve to thermopile for possible grounding against the appliance or gas valve.</li> <li>● Follow same steps for thermocouple</li> </ul>

**Caution:** Any safety screen or guard removed for servicing an appliance must be replaced prior to operating the appliance

## SERVICE INFORMATION

**NOTE: Before troubleshooting the gas control system, be sure the external gas shut off is in the "ON" position.**

**WARNING: TO PREVENT INJURY OR PROPERTY DAMAGE, REMOVE THE GLASS PANEL FROM THE APPLIANCE BEFORE DOING ANY WORK ON THE GAS CONTROL SYSTEM. FAILURE TO DO SO COULD RESULT IN GAS BUILD-UP AND EXPLOSION.**

<b>IPI GAS SYSTEM TROUBLESHOOTING</b>		
<b>PROBLEM</b>	<b>POTENTIAL CAUSES</b>	<b>CORRECTIVE ACTION</b>
<p>There is no response from the fireplace when turned on.</p>	<p>No power</p> <p>No power from batteries</p> <p>Bad power supply</p>	<ul style="list-style-type: none"> <li>● Check the 110volt power into the fireplace. Consult your electrician if a problem exists.</li> <li>● Check the backup battery supply if the power is out. Replace the batteries if needed.</li> <li>● If 110volt power is available check the output of the power adaptor. Replace if needed.</li> </ul>
<p>Pilot will not stay lit.</p>	<p>Poor gas pressure.</p> <p>Pilot light not adjusted properly.</p> <p>Loose wire.</p> <p>Bad ignition module.</p>	<ul style="list-style-type: none"> <li>● Check the gas inlet pressure and take corrective measures if needed. (This must be done by a qualified service technician)</li> <li>● Clean and/or adjust pilot so pilot flame makes good contact with the rectification rod.</li> <li>● Be sure wire connections at ignition module are all correct and tight. Also check for good clean and tight ground connections.</li> <li>● Replace Ignition module.</li> </ul>
<p>Pilot burning but main burner will not ignite.</p>	<p>Loose Wire.</p> <p>Bad Ignition module.</p> <p>Bad gas valve.</p>	<ul style="list-style-type: none"> <li>● Check the wire connections at the gas valve and ignition module that they are correct and tight.</li> <li>● Replace the Ignition module.</li> <li>● Replace the gas valve. (This must be done by a qualified service technician)</li> </ul>
<p>Frequent pilot out-age problems</p>	<p>Poor gas pressure.</p> <p>Pilot flame not adjusted properly.</p> <p>Logs not positioned properly.</p> <p>Poor grounding.</p> <p>Dirty rectification rod.</p>	<ul style="list-style-type: none"> <li>● Check the gas inlet pressure and take corrective measures if needed. (This must be done by a qualified service technician)</li> <li>● Clean and/or adjust pilot so pilot flame makes good contact with the rectification rod.</li> <li>● Properly position logs.</li> <li>● Check wire connections and verify they are clean and tight.</li> <li>● Carefully clean rod with fine grit emery cloth.</li> </ul>

## LIMITED LIFETIME WARRANTY

**COVERAGE** - This Limited Warranty is issued by Alpine Gas Fireplaces, a division of Alpine Supply Company ("Alpine"), and extends only to the original consumer purchaser. THIS WARRANTY GIVES YOU SPECIFIC LEGAL RIGHTS, AND YOU MAY ALSO HAVE OTHER RIGHTS WHICH VARY FROM STATE TO STATE.

### LIMITED ONE YEAR WARRANTY

The Alpine Gas Fireplace is warranted to be free of defects in materials and workmanship (does not include installation materials and installation labor) for a period of one (1) year from the date of purchase when installed and used in accordance with the recommendations in the installation and operation instructions for the fireplace. The determination as to the existence of a defect and whether or not that defect is material shall be made in accordance with accepted industry standards. Defective parts will be repaired or replaced at Alpine's option. Parts which are returned to Alpine and found defective on inspection will be repaired, or replaced with a new part, without charge to the purchaser as long as the part is still under warranty. All shipping charges will be paid by the purchaser, and all new or repaired parts shipped to the purchaser shall be shipped freight collect (F.O.B. Lehi, Utah). Service calls ordered by the customer, repairs, or parts which do not qualify for warranty shall be charged to the customer at then current rates for labor, parts and transportation.

### LIMITED LIFETIME WARRANTY

In addition to the one-year warranty described above, the firebox of the Alpine Gas Fireplace is warranted for life against through wall perforation when installed and used in strict compliance with the recommendations in the installation and operation instructions for the fireplace, provided that the blower has been installed and been kept operable and working whenever the fireplace has been in use, and there has been an approved and tested vent cap in place on the chimney to prevent moisture from coming down the flue and causing the rusting of the firebox or other components. For purposes of this lifetime warranty, burnout means only the eroding of the interior metal floor, top, walls or heat exchanger in the top of the appliance, solely by fire action, to the point that the erosion has resulted in one or more holes from inside of the firebox into the surrounding hot air chambers of the appliance. This lifetime warranty does not cover warping or rusting of the firebox. The damaged part or parts of the firebox will be repaired or replaced at Alpine's option. Parts which are returned to Alpine and are found damaged by burnout on inspection will be repaired, or replaced with a new part, without charge to the purchaser as long as the unit is still under warranty. All shipping charges shall be paid by the purchaser, and all new or repaired parts shipped to the customer shall be shipped freight collect (F.O.B. Lehi, Utah). If the damaged part or parts under warranty cannot reasonably be removed and shipped to Alpine for replacement or repair, Alpine will provide a serviceman to correct the defect at the location where the gas fireplace is installed without charge to the purchaser for labor or materials, provided that the purchaser shall pay a reasonable charge for the transportation of the serviceman and needed parts and equipment from the nearest Alpine service center to the location of the appliance and return.

**LIMITATIONS** - These one year and limited lifetime warranties are in lieu of all other express warranties. ALL IMPLIED WARRANTIES, INCLUDING ANY IMPLIED WARRANTIES OF MERCHANTABILITY OR OF FITNESS FOR ANY PARTICULAR PURPOSE, ARE SPECIFICALLY LIMITED TO A TERM OF ONE (1) YEAR FROM THE DATE OF PURCHASE (SOME STATES DO NOT ALLOW LIMITATIONS ON HOW LONG AN IMPLIED WARRANTY LASTS, SO THE ABOVE LIMITATION MAY NOT APPLY TO YOU). Alpine neither assumes nor authorizes any other person to assume for it, any additional liability in connection with the sale, installation, replacement, or repair of the appliance.

**EXCLUSIONS** Alpine shall be held free and harmless from liability damage to property or injury to persons related to the installation or operation, proper or improper, of the appliance. THESE ONE YEAR AND LIMITED LIFETIME WARRANTIES DO NOT COVER, NOR DOES ALPINE ASSUME, RESPONSIBILITY FOR INCIDENTAL, SECONDARY, OR CONSEQUENTIAL DAMAGES. ( SOME STATES DO NOT ALLOW THE EXCLUSION OR LIMITATION OF INCIDENTAL OR CONSEQUENTIAL DAMAGES, SO THE ABOVE LIMITATION OR EXCLUSION MAY NOT APPLY TO YOU.)

These one year and limited lifetime warranties do not cover:

1. Damage or malfunction resulting from accident, negligence, abuse, alteration, unauthorized service, damage during transportation, shipping or damage caused by external fire, floods, acts of God, or any other casualty.
2. Damage or malfunction resulting from failure to follow the installation or operating instructions provided with the fireplace unit.
3. Damages or defects in any parts, equipment, accessories, materials, or items not manufactured, sold, or supplied by Alpine, or any damage resulting from the use of such items, which are used on or in connection with the fireplace unit.
4. Damage to or defects in any glass windows or internal or external finishes, or any damage resulting there from, except as an examination by the purchaser may reveal at the time of delivery of the appliance and is reported immediately to Alpine.
5. Any expansion and contraction noises commonly found in heating equipment.
6. Damage or malfunction caused by trees or bushes located in the proximity of the vent or vent termination.

**PROCEDURE TO OBTAIN PERFORMANCE UNDER WARRANTY** It is recommended that you first contact your local dealer as the dealer may be able to assist you with warranty or other service work. In any case, the following procedure must be followed for any and all warranty work;

If damage occurs or a defect is discovered which you believe is covered by this limited warranty, you must promptly notify Alpine of the damage or defect in writing and provide reasonably satisfactory proof of the date of purchase of the appliance. All claims made by you under this warranty should be directed to Alpine at the address below. The written notice must contain the name, address and phone number of the customer, as well as the name of the dealer, the serial number of the appliance and the date purchased. Failure to give timely notice to Alpine of any material damage or defect will result in that damage or defect being excluded from coverage.

Upon receipt Alpine will, within 60 days, repair, replace or service the parts or unit as covered by this Limited Warranty. Exceptions to this may be delays that are caused by acts of God, labor problems or material shortages.

**ALPINE FIREPLACES**  
782 West State Street  
Lehi, Utah 84043

(801)768-8411  
[www.alpinefireplaces.com](http://www.alpinefireplaces.com)