

INSTALLATION AND OPERATING INSTRUCTIONS



POSITIVE PRESSURE GAS FIREPLACE

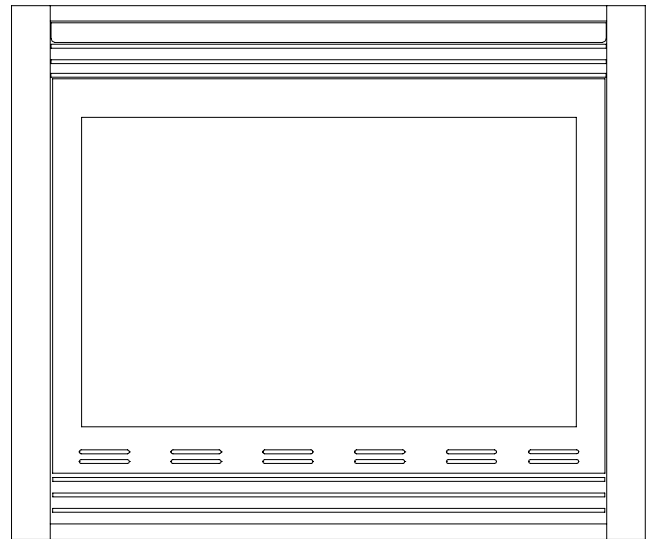
**MODEL : SE36 – NG Natural Gas
SE36 – LP Propane**

These gas appliances have been tested in accordance with National Safety Standards, and have been certified by Intertek for installation & operation as described in these Installation and Operating Instructions in the United States.

Check with your local building code agency before you begin your installation to ensure compliance with local codes, including the need for “permits” and follow-up inspections. If any problems are encountered regarding code approvals, or if you need clarification of any of the instructions contained here, contact:

ALPINE GAS FIREPLACES

#801-768-8411 / www.alpinegasfireplaces.com



WARNING: If the information in these instructions are not followed exactly, a fire or explosion may result causing property damage, personal injury or loss of life. Improper installation, adjustment, alteration, service or maintenance can cause property damage, personal injury or loss of life.

WHAT TO DO IF YOU SMELL GAS:

- Do not try to light any appliance.
- Do not touch any electrical switch; do not use any phone in your building.
- Immediately call your gas supplier from a neighbor’s phone. Follow the gas supplier’s instructions
- If you cannot reach your gas supplier, call the fire department.

FOR YOUR SAFETY

Do not store or use gasoline or other flammable vapors and liquids in the vicinity of this or any other appliance.

INSTALLATION AND SERVICE MUST BE PERFORMED BY A QUALIFIED INSTALLER, SERVICE AGENCY OR THE GAS SUPPLIER.

INSTALLER: PLEASE LEAVE THIS MANUAL WITH THE CUSTOMER

HOMEOWNER: PLEASE KEEP THESE INSTRUCTIONS FOR FUTURE REFERENCE

Alpine Gas Fireplaces
782 West State Street
Lehi, Utah 84043

Tested by:





TABLE OF CONTENTS

GENERAL INFORMATION

Rating Plate	4
Before Starting	5
General Safety Information	5
System Specifications	6
Derating the Burner.....	6

INSTALLATION REQUIREMENTS

Locating the Fireplace	6
Gas Line Installation.....	7
Clearances.....	7
Mantel Clearances	7
Hearth Materials	7
Framing and Finishing.....	8

VENTING

Venting Planning	9
Venting Components List.....	9
Vent Termination Clearances	10
Horizontal /Vertical Components.....	11
Vertical Venting	12/13
Horizontal Venting	14-16
Horizontal Installation.....	17/18
Vertical Installation.....	18/19
Flex Venting	20

POSITIVE PRESSURE

Installation	21/22
--------------------	-------

WIRING

Blower Wiring	23
Millivolt System	24

LOG AND EMBER INSTALLATION

Log Installation.....	24/25
Ember Placement.....	25

GLASS AND LOUVER INSTALLATION

Glass Trim Installation.....	26
Louver Installation.....	26

OPERATING INSTRUCTIONS

Aeration Adjustment.....	26/27
Remote Control/Thermostat.....	27
Operation Instruction Plate.....	28
First Fire	29
Lighting Procedure	29
Shutdown Procedure.....	29

FIREPLACE MAINTENANCE

Maintenance Instructions	29
Cleaning Gold /Stainless Trims	29

SERVICE

Glass Panel/Replacement.....	30
Log Replacement.....	30
Thermocouple/Thermopile.....	30
Inspecting the Pilot.....	30
Removing/Installing the Valve.....	31
Replacement Parts List.....	32

TROUBLESHOOTING GUIDE

Gas Control System	33
Positive Pressure System	34

WARRANTY

Warranty.....	35
---------------	----

GENERAL INFORMATION

DO NOT REMOVE THIS LABEL

Serial Number: SERRANO SE36-

Listed: DIRECT VENT GAS FIREPLACE HEATER

Tested to: ANSI Z21.88a-2003/CSA2.33a-2003

Report No. 3060953 (Jun.04)



Alpine Gas Fireplaces
Lehi, Utah
Made in USA

This appliance must be installed in accordance with the following minimum clearances:

- 2" to combustibles – Top
- 1/2" to combustibles – Sides
- 1" to combustibles – Back
- 0" to combustibles – Bottom
- 18" from top of stove – Ceiling
- 24" from top of stove-Ceiling (flex)
- 6" to combustible Mantel projecting 6" from wall. Add 1" of height for every 1" of projection after the 6" minimum.

Flue clearances are as follows:

Horizontal Pipe

- 2" to combustibles – Top
- 1" to combustibles – Sides
- 1/2" to combustibles – Bottom

1 1/2" Clearance to Vertical Pipe

This appliance may be recessed until the front of the unit is flush with any combustible facing material. Non combustibles may overlap.

NATURAL GAS : SERRANO SE36-NG

Minimum supply pressure	4.5"	WC
Manifold pressure high	3.5"	WC
Manifold pressure low	2.2"	WC
Orifice Size	# 40	DMS
Minimum input	23,000	BTU/h
Maximum input	31,000	BTU/h
Altitude	2500 – 6500	Ft

Model SE36-NG

PROPANE : SERRANO SE36-LP

Minimum supply pressure	11"	WC
Manifold pressure high	10.0"	WC
Manifold pressure low	6.4"	WC
Orifice Size	# 52	DMS
Minimum input	25,000	BTU/h
Maximum input	33,000	BTU/h
Altitude	2500 – 6500	Ft

Model SE36-LP



Use Only Simpson Dura-Vent GS System . Use only Simpson vent cap #0991 on vertical applications. This appliance must be installed in accordance with the manufacturer's installation instructions and with local codes, if any; if not, follow the current ANSI Z223.1 in the USA.

This vented gas fireplace heater is not for use with air filters.
Electrical supply 120VAC, 3.5 Amps, 60Hz.
This appliance is only for use with the type of gas indicated on the rating plate and may be installed in an aftermarket, permanently located manufactured home (USA only) or mobile home, where not prohibited by local codes. See owner's manual for details. This appliance is not convertible for use with other gases, unless a certified kit is used.

VENTED GAS FIREPLACE HEATER NOT FOR USE WITH SOLID FUEL.

This appliance approved for bedroom installations.

IMPORTANT:

SAVE THESE INSTRUCTIONS

The SE-36 Direct Vent Fireplace must be installed in accordance with these instructions. Carefully read all the instructions in this manual first. Consult the “authority having jurisdiction” to determine the need for a permit prior to starting the installation. It is the responsibility of the installer to ensure this fireplace is installed in compliance with the manufacturer’s instructions and all applicable codes.

BEFORE YOU START

Safe installation and operation of this appliance requires common sense, however, we are required by ANSI Standards to make you aware of the following:

INSTALLATION AND REPAIR SHOULD BE DONE BY A QUALIFIED SERVICE PERSON. THE APPLIANCE SHOULD BE INSPECTED BEFORE USE AND AT LEAST ANNUALLY BY A PROFESSIONAL SERVICE PERSON. MORE FREQUENT CLEANING MAY BE REQUIRED DUE TO EXCESSIVE LINT FROM CARPETING, BEDDING MATERIAL, ETC. IT IS IMPERATIVE THAT CONTROL COMPARTMENTS, BURNERS AND CIRCULATING AIR PASSAGEWAYS OF THE APPLIANCE BE KEPT CLEAN.

DUE TO HIGH TEMPERATURES, THE APPLIANCE SHOULD BE LOCATED OUT OF TRAFFIC AND AWAY FROM FURNITURE AND DRAPERIES.

WARNING: FAILURE TO INSTALL THIS APPLIANCE CORRECTLY WILL VOID YOUR WARRANTY AND MAY CAUSE A SERIOUS HOUSE FIRE.

CHILDREN AND ADULTS SHOULD BE ALERTED TO THE HAZARDS OF HIGH SURFACE TEMPERATURES, ESPECIALLY THE FIREPLACE GLASS, AND SHOULD STAY AWAY TO AVOID BURNS OR CLOTHING IGNITION.

YOUNG CHILDREN SHOULD BE CAREFULLY SUPERVISED WHEN THEY ARE IN THE SAME ROOM AS THE APPLIANCE.

CLOTHING OR OTHER FLAMMABLE MATERIAL SHOULD NOT BE PLACED ON OR NEAR THE APPLIANCE.

GENERAL SAFETY INFORMATION

- 1) The appliance installation must conform with local codes or, in the absence of local codes, with the current *National Fuel Gas Code*, ANSI Z223.1 installation code.
- 2) The appliance when installed, must be electrically grounded in accordance with local codes, or in the absence of local codes with the current *National Electrical Code*, ANSI/NFPA 70.
- 3) This appliance must be connected to the specified vent and termination cap to the outside of the building envelope. Never vent to another room or inside a building. Make sure that the vent is fitted as per venting instructions.
- 4) Inspect the venting system annually for blockage and any signs of deterioration.
- 5) Venting terminals shall not be recessed into a wall or siding.
- 6) Any safety glass removed for servicing must be replaced prior to operating the appliance.
- 7) To prevent injury, do not allow anyone who is unfamiliar with the operation to use the fireplace.
- 8) Wear gloves and safety glasses for protection while doing required maintenance.
- 9) Be aware of electrical wiring in locations in walls and ceilings when cutting holes for termination.
- 10) Under no circumstances should this appliance be modified. Parts that have been removed for servicing should be replaced prior to operating this appliance.
- 11) Installation and any repairs to this appliance should be done by a qualified service person. A professional service person should be called to inspect this appliance annually. Make it a practice to have all of your gas appliances checked annually.
- 12) Under no circumstances should any solid fuels (wood, paper, cardboard, coal etc.) be used in this appliance.
- 13) The appliance area must be kept clear and free of combustible materials, gasoline and other flammable vapors and liquids.
- 14) If the pilot goes out for any reason, turn the control knob to the off position. Wait five minutes before attempting to re-light pilot.
- 15) Never obstruct the flow of ventilation and combustion air to the fireplace.

GENERAL INFORMATION/INSTALLATION REQUIREMENTS

SYSTEM SPECIFICATIONS

Burner Inlet Orifice Sizes:

(2500 TO 6500 feet altitude)

Natural Gas: #40

Propane: #52

Max. Input Rating – Natural Gas 31,000 Btu/h
Propane 33,000 Btu/h

Min. Input Rating – Natural Gas 23,000 Btu/h
Propane 25,000 Btu/h

Min. Supply Pressure Natural Gas 4.5" w.c.
Propane 11.0" w.c.

Max. Supply Pressure Natural Gas 8.0" w.c.
Propane 13.0" w.c.

Manifold Pressure

Natural Gas 3.5" +/-0.2" w.c.

Propane 10" +/-0.2" w.c.

Minimum Gas Line Pipe Size: 1/2"

Electrical: 120 V.A.C. System

Amperage Rating: 3.25 /3.50 Amps

Positive Pressure Fan: Variable Speed 495 CFM.

Venting: Simpson Duravent Direct Vent (4" x 6 5/8")

Must use high wind termination on vertical applications (Simpson part # 0991)

LOCATING THE FIREPLACE

- 1) When selecting a location for your Gas Fireplace, ensure that the clearances outlined in this manual are adhered to strictly.
- 2) Ensure that the Positive Pressure Blower will be accessible for post-installation maintenance.
- 3) The fireplace must be installed on a flat, solid, continuous surface. If the appliance is to be raised off the floor on a platform, it must be securely fastened to a sturdily constructed platform.
- 4) If the appliance is to be installed on carpeting, combustible vinyl tiling, or any other combustible surface other than wood flooring, a wood panel or metal panel must be installed on top of the existing flooring. The panel must extend the full width and depth of appliance.
- 5) The Alpine SE36 fireplace can be installed into many different applications. See Figure 1 for examples.
- 6) Lay out fireplace dimensions on installation site before proceeding with installation. This will ensure proper clearances and assist in identifying potential problems before installation.
- 7) Make sure to review the vent termination and positive pressure system requirements before proceeding.

This appliance may be installed in an aftermarket, permanently located, manufactured home (USA only) or mobile home, where not prohibited by local codes.

This appliance is only for use with the type of gas indicated on the rating plate. This appliance is not convertible with other gases, unless a certified kit is used.

DERATING THE BURNER

The fireplace has been designed to operate at elevations up to 4500 ft. above sea level. The fireplace will need to be derated at elevations above 6500 ft. The orifice will need to be reduced one number drill size.

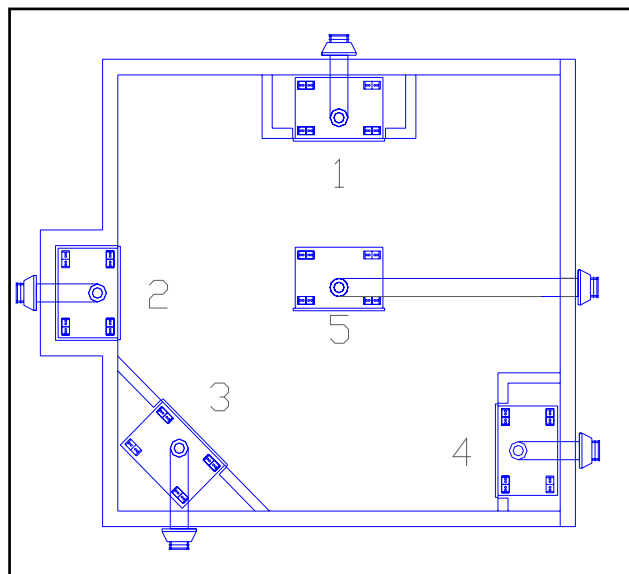


Fig. 1 – Installation Placement Options

INSTALLATION REQUIREMENTS

GAS LINE INSTALLATION

IMPORTANT: Gas piping should be installed only by trained and qualified technicians.

The appliance and its individual shut-off valve must be disconnected from the gas supply piping system during any pressure testing of that system in excess of 1/2" psi.

The appliance must be isolated from the gas supply piping system by closing its individual shutoff valve during any pressure testing of the gas supply piping system at test pressures equal to or less than 1/2" psi.

The gas line can be brought through the left side of the appliance. The 1/2" service gas line must connect to the flexible appliance connector which is attached to the main control valve. **DO NOT MAKE THIS CONNECTION UNTIL ALL PRESSURE TESTING OF THE GAS PIPING SYSTEM IS COMPLETE. FAILURE TO DO SO WILL RESULT IN DAMAGE TO THE MAIN CONTROL VALVE.**

Gas piping must conform to the current National Fuel Gas Code, ANSI Z223.1.

Always consult with the local code official for additional local codes applicable in your area.

IMPORTANT: Always check for gas leaks with a soap and water solution or gas leak detector. Never use open flame for leak testing.

NOTE: To properly check gas pressure, both inlet and manifold pressures should be checked using the valve pressure ports on the control valve.

NOTE: If the appliance is to be installed on carpeting, vinyl tiling, or any other combustible material other than wood flooring, the appliance must be installed on a metal or wood panel extending the full width and depth of the appliance.

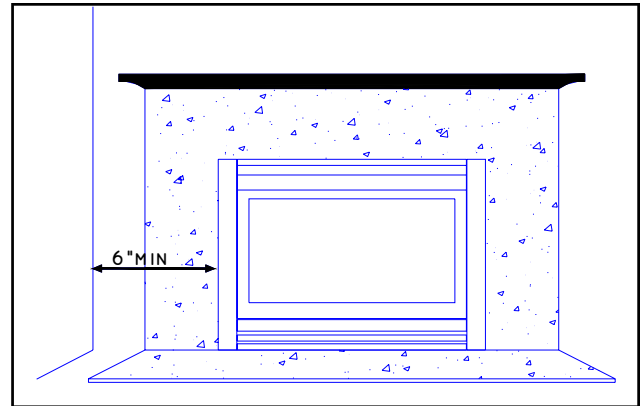


Fig. 2 – Clearance to an adjacent wall

CLEARANCES

IMPORTANT: Clearances listed in this manual must be adhered to strictly. Failure to maintain these listed clearances of the fireplace and venting system can result in a house fire.

Clearance to Combustibles from:

Fireplace Spacers	0"
Fireplace Floor	0"
Ceiling	18"
Ceiling (Flex Vent)	24"
Side Mantel Leg	6"

Mantel Clearance: 6" minimum height for a 6" projection. Add 1" of height for each additional 1" of projection.

Horizontal Vent Pipe

Top of Pipe	2"
Sides of Pipe	1"
Bottom of Pipe	1/2"

Vertical Vent Pipe 1 1/2"

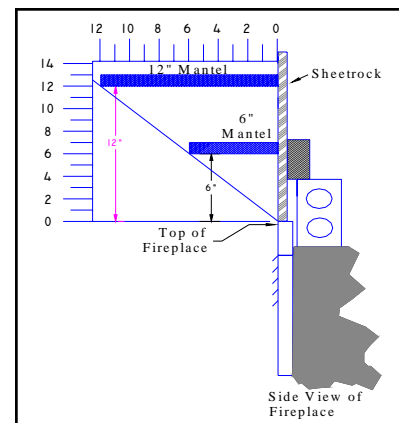


Fig. 3 – Mantel Clearances

HEARTH MATERIALS

A hearth is not mandatory with the SE 36 fireplace, but is recommended for aesthetics and for added safety.

Non-combustible materials such as Tile, Brick, Rock, and Slate are recommended.

In constructing a hearth, hearth material thickness must be taken into consideration. Avoid using any material that will block the front of the valve access door at the bottom of the appliance.

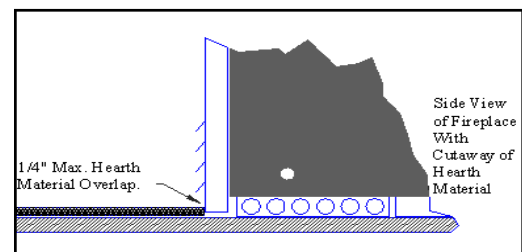


Fig. 4 – Hearth Clearances

INSTALLATION REQUIREMENTS

FRAMING

- 1) A rough framed opening of 37 1/2" wide by 33 1/2" high will be required for installation. The minimum depth is 21". (see figure 5)

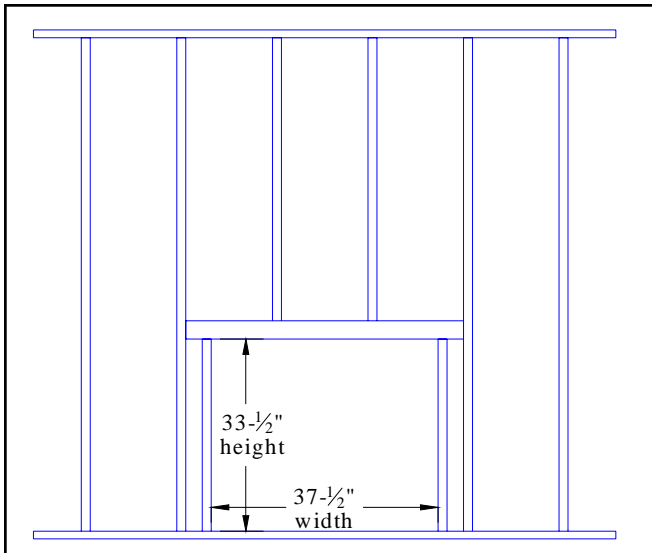


Fig. 5 – Framed Opening

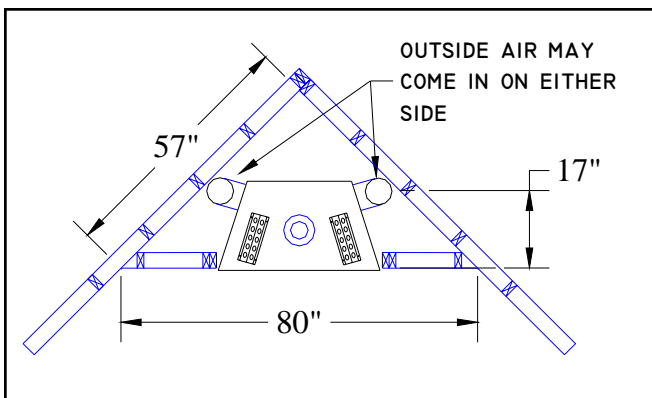


Fig. 6– Corner Installation

- 2) **If the fireplace is to be installed into an exterior wall, the enclosure or fireplace chase should be insulated to the same degree as the home to prevent cold air infiltration through the fireplace chassis.** Check with your local building official for any additional local requirements(e.g. vapor barriers, drywall). **Never insulate the fireplace itself.**
- 3) The fireplace is equipped with four nailing tabs, which must be bent out before inserting into the framed opening.

- 4) Center the fireplace in the framing and anchor the fireplace, using the nailing strips provided, to the framing. (see figure 7)

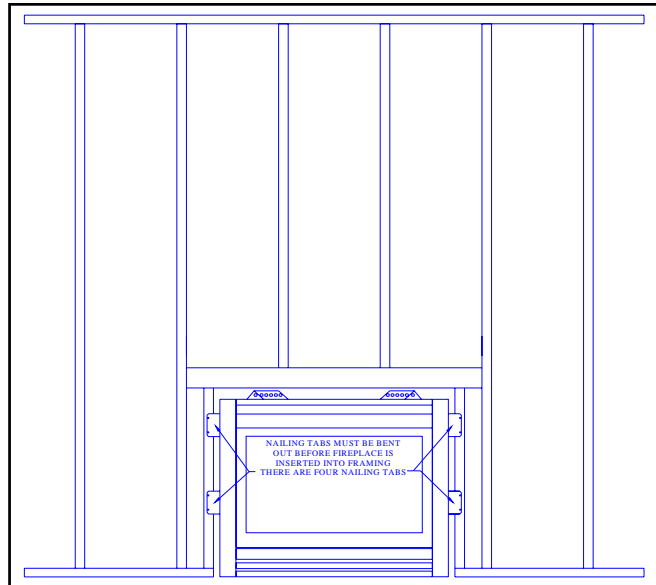


Fig. 7 – Securing The Fireplace

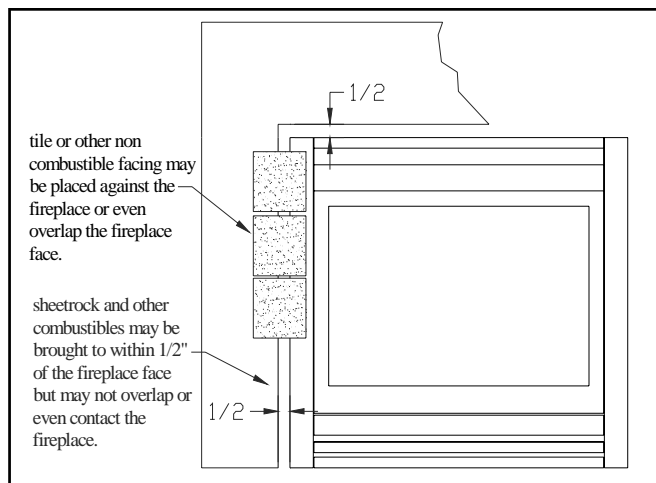


Fig. 8 – Facing Clearances

- 5) When sheetrock is applied around the fireplace a 1/2" gap must be maintained between the fireplace face and the sheetrock or any other combustible material. Non-combustibles such as brick, tile or stone may butt up to or even overlap the face of the fireplace. **NOTE: If overlapping the face of the fireplace make sure not to overlap into the glass frame area.** (see figure 8)

VENTING PLANNING

The Alpine SE-36 uses Simpson Duravent Co Axial venting systems. The inner tube vents products of combustion away from the appliance, while the outer tube draws outside air into the combustion chamber. This is a closed system and uses no air from the interior of the home for combustion.

Never attach this fireplace vent to another vent serving another appliance. Each direct vent gas appliance must use its own separate venting system. Common venting systems are prohibited for use with this appliance.

Always vent the fireplace to outside of the building. Never vent into a garage or enclosed area.

This venting system, in combination with the Alpine SE-36 Direct Vent Gas Fireplace, has been tested and listed as a direct vent heater by Intertek. The location of the termination cap must conform to the requirement in the Vent Termination Clearances diagram on page 10 of this manual.

Before proceeding with installation, carefully examine the chart on page 10 of this manual for options regarding proper placement of the vent termination.

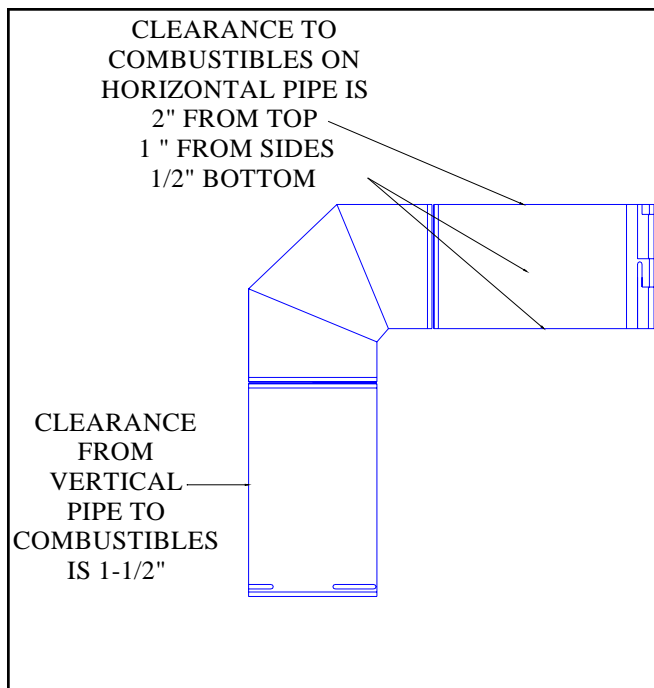


Figure 9 – Clearance to Venting

SIMPSON DURAVENT

VENTING COMPONENTS LIST

(4"x6 5/8")

Stock #	Description
46DVA-E45	45 Degree Elbow
46DVA-E90	90 Degree Elbow
46DVA-SC	Storm Collar
46DVA-F6	Standard Flashing 0/12 – 5/12
46DVA-F12	Steep Flashing 6/12 – 12/12
46DVA-WS	Wall Strap
09183	Firestop Spacer
46DVA-16A	16" Extension
46DVA-8A	8" Extension
09382	17" - 24" Adjustable pipe
46DVA-12	12" pipe
46DVA-24	24" pipe
46DVA-36	36" pipe
46DVA-48	48" pipe
46DVA-VCH	Vertical Termination Cap
46DVA-HC	Horizontal Termination Cap
46DVA-DC	Wall Thimble
46DVA-SNK14	14" Snorkel Termination Cap
46DVA-SNK36	36" Snorkel Termination Cap
09361	Vinyl Siding stand-off

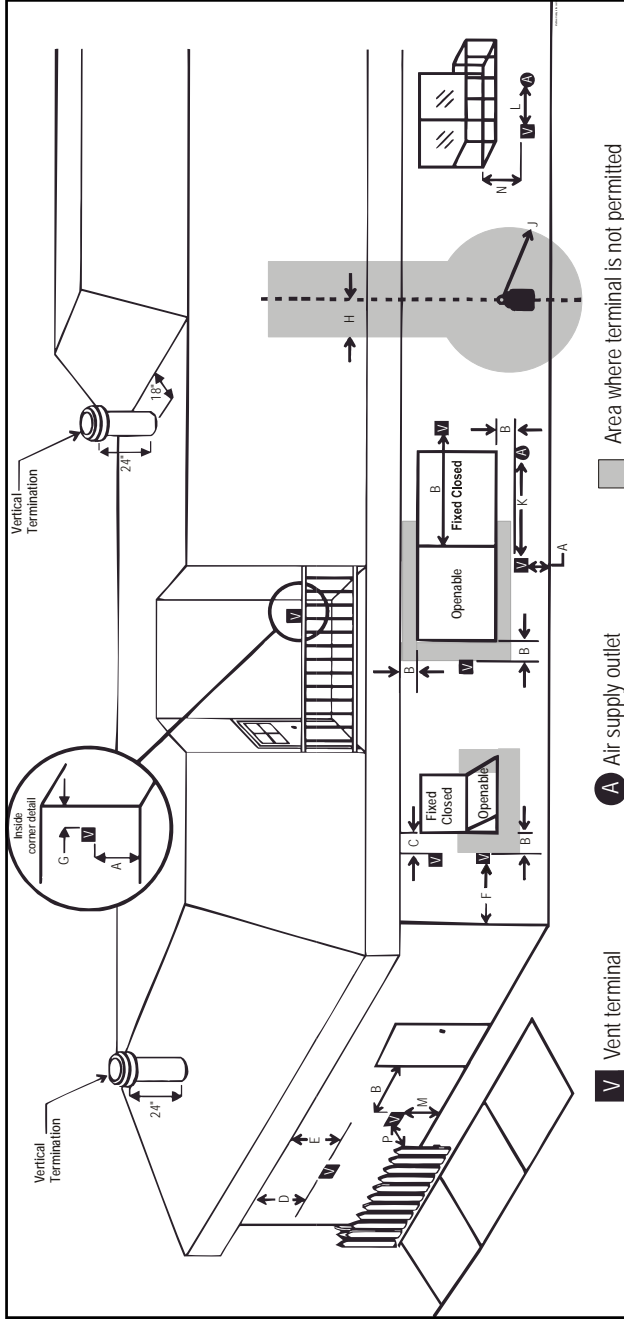
Parts not supplied by Simpson

09362	Flue Adapter
09364	Vent Guard
09367	Horizontal Firestop
09301	Attic Insulation Shield

In all cases, adequate combustion and ventilation air must be available for the fireplace. **Never block the termination cap.** Make sure foliage does not grow around the termination cap. In all cases, follow the clearances listed on page 10 of this manual.

NOTE: Never connect this gas appliance to a chimney flue serving a separate solid-fuel burning appliance.

VENT TERMINATION CLEARANCES



- A**= Clearance above grade, veranda, porch, deck, or balcony (min. 12")
- B**= Clearance to window or door that may be opened (12")
- C**= Clearance to permanently closed window (12") (recommended to prevent condensation on window)
- D**= Vertical clearance to ventilated soffit located above the terminal within a horizontal distance of (24") from the centerline of the terminal (min. 18")
- E**= Clearance to unventilated soffit (min. 15")
- F**= Clearance to outside corner (19")
- G**= Clearance to inside corner (12")
- H**= Not to be installed above a meter / regulator assembly within (3')
- J**= Clearance above paved sidewalk or a paved driveway located on public property (min. 84")
- M**= Clearance under a veranda, porch, deck, or balcony (min. 12")
- N**= Clearance to obstructions in front of the termination such as bushes, fences, sheds, decks, other structures is (24")
- P**= Clearance to obstructions in front of the termination such as bushes, fences, sheds, decks, other structures is (24")

Note:

- A vent shall not terminate directly above a sidewalk or paved driveway which is located between two single family dwellings and serves both dwellings.
- Only permitted if veranda, porch, deck, or balcony is fully open on a minimum of two sides beneath the floor.

SIMPSON DURAVENT VENTING Horizontal or Vertical Terminations

The Simpson Dura Vent System offers a complete line of component parts for both horizontal and vertical installations. Read installation instructions included within the termination cap box.

The following is a list of components required for a basic horizontal termination installation.

- 1 Horizontal Termination Cap
- 1 90 Degree Elbow
- 1 Flue Adapter (installed on unit from factory)
- 1 Horizontal Firestop
- 1 12" Pipe
- 1 17" -24" Adjustable Pipe

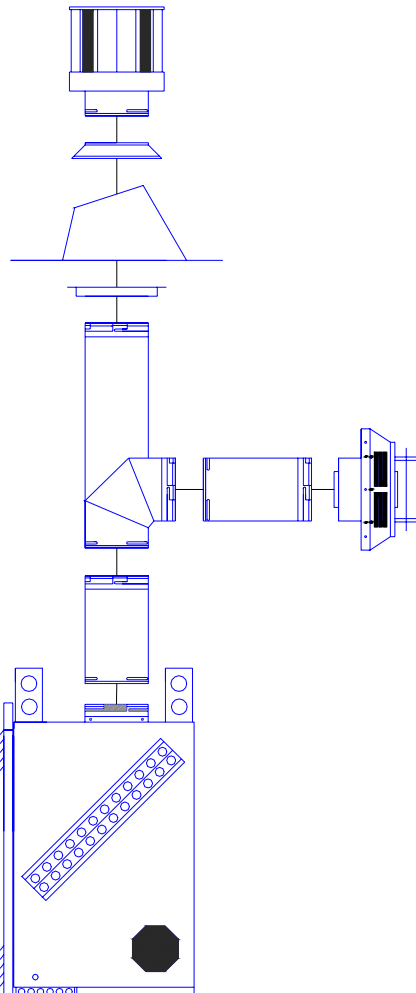
If vinyl or is to be used, a vinyl siding standoff should also be used. If brick or rock is to be applied to the exterior of the home, make sure that the cap is extended to the thickness of the brick or rock. **The Terminal must never be recessed into the wall. A brick standoff is available for this application.**

The following is a list of components required for a basic vertical termination installation.

- 1 Vertical Termination Cap
- 1 Storm Collar
- 1 Roof Flashing *
- 2 36" vent pipe
- 1 Flue Adapter (installed on unit from factory)

* If the home has a chase projecting above the roof line, a roof flashing will not be needed.

The vertical termination should project above the finished chase a minimum of 10". See local codes for other venting requirements in your area.



VENTING

Vertical Venting

Maximum Vertical Height 37 FT.

Minimum Vertical Height 4 FT.

Up to eight (8) 45 Degree elbows may be used

NOTE: A vent restrictor must be installed in the fireplace if the vertical height is more than 12 feet.

Only Simpson Duravent GS Piping (4" x 6 5/8")
May be Used on This Appliance.

Piping Clearances

Vertical Pipe

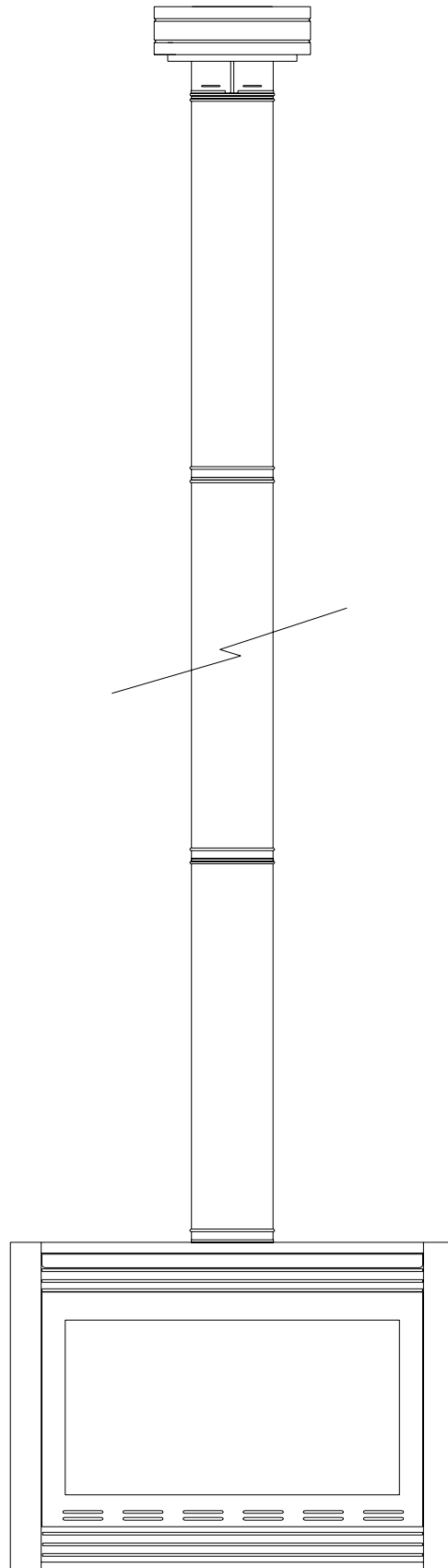
1 1/2" to Combustibles

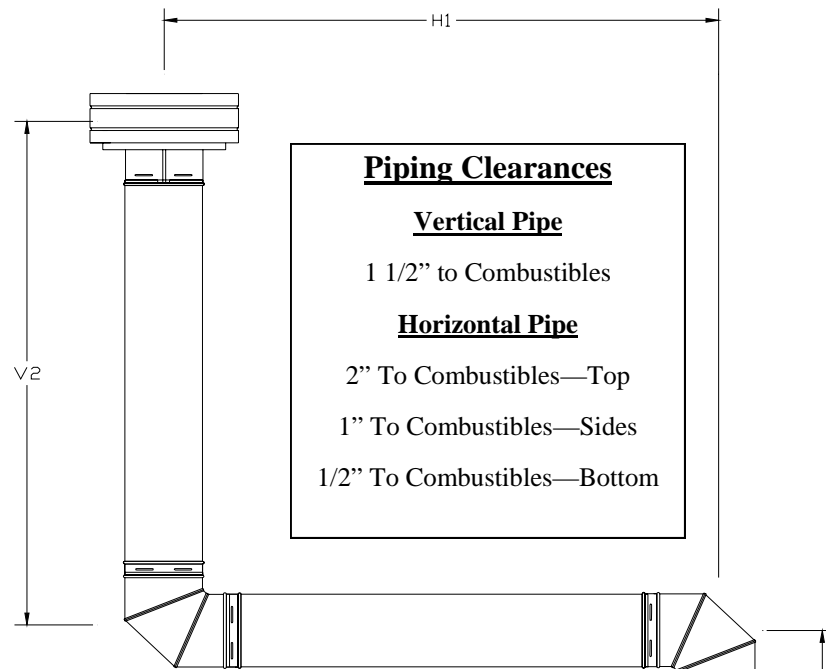
Horizontal Pipe

2" To Combustibles—Top

1" To Combustibles—Sides

1/2" To Combustibles—Bottom

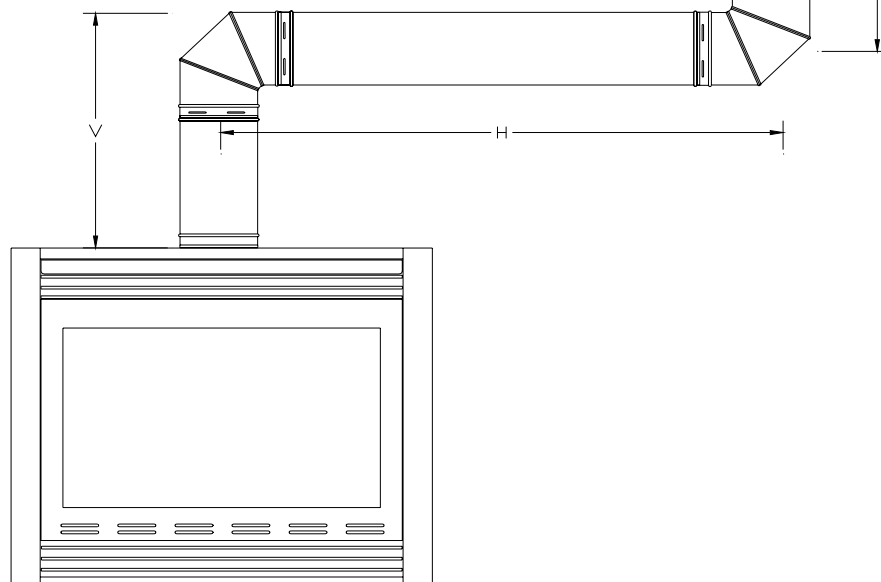


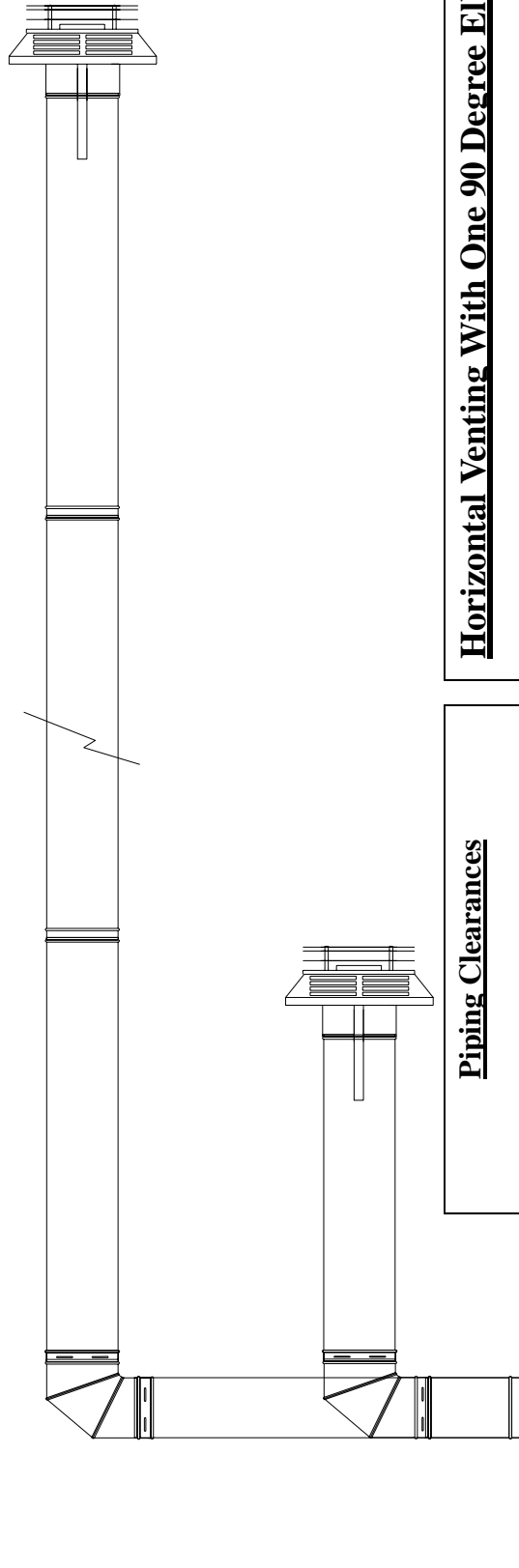


Venting With Four (4) 90 Degree Elbows

<u>V (min)</u>	<u>H (max)</u>	<u>V1 (min)</u>	<u>H1 (max)</u>	<u>V2 (min)</u>
1 FT	3 FT	5 FT	3 FT	3 FT
2 FT	5 FT	5 FT	5 FT	3 FT
3 FT	10 FT	5 FT	10 FT	3 FT

NOTE: Horizontal Piping Must Maintain a 1/4" Rise Per Foot.





Horizontal Venting With One 90 Degree Elbow

<u>Vertical</u>	<u>Horizontal</u>
1 FT	3 FT
2 FT	8 FT
3 FT	16 FT

NOTE: Horizontal piping must maintain a 1/4" rise per foot .

Piping Clearances

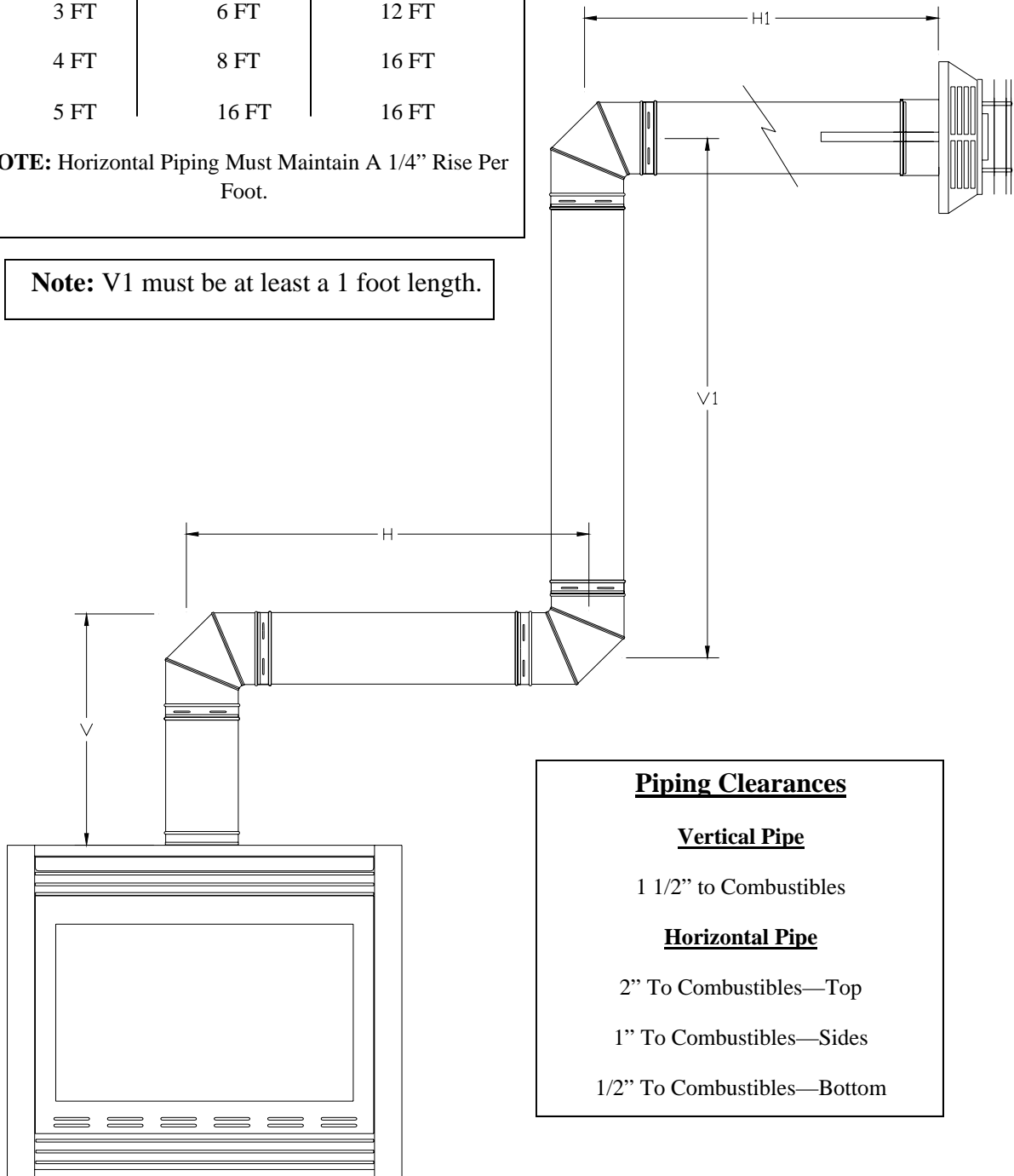
<u>Vertical Pipe</u> 1 1/2" to Combustibles
<u>Horizontal Pipe</u> 2" To Combustibles—Top 1" To Combustibles—Sides 1/2" To Combustibles—Bottom

Horizontal Venting With Three (3) 90 Degree Elbows

<u>V (min)</u>	<u>H (max)</u>	<u>H ± H1 (max)</u>
1 FT	3 FT	6 FT
2 FT	4 FT	8 FT
3 FT	6 FT	12 FT
4 FT	8 FT	16 FT
5 FT	16 FT	16 FT

NOTE: Horizontal Piping Must Maintain A 1/4" Rise Per Foot.

Note: V1 must be at least a 1 foot length.



Piping Clearances

Vertical Pipe

1 1/2" to Combustibles

Horizontal Pipe

2" To Combustibles—Top

1" To Combustibles—Sides

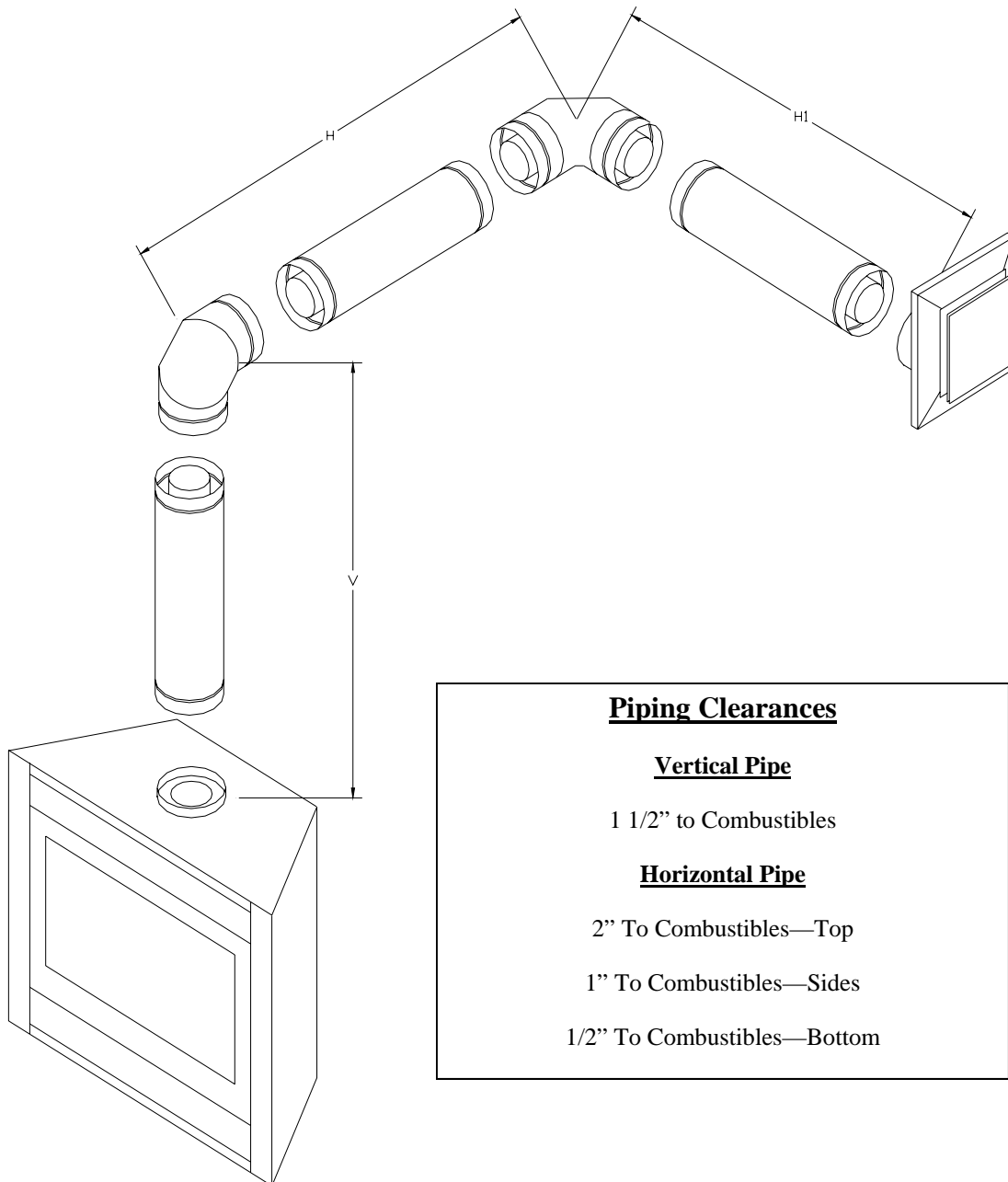
1/2" To Combustibles—Bottom

VENTING

Horizontal Venting With Two (2) 90 Degree Elbows

<u>V (min)</u>	<u>H + H1 (max)</u>
3 FT	8 FT
4 FT	10 FT
5 FT	12 FT

NOTE: Horizontal Piping Must Maintain A 1/4" Rise Per Foot.



VENTING – HORIZONTAL

Install the vent system according to the instructions included in the venting kit received with the fireplace.

1. With the unit in the desired location, check to determine if wall studs or roof rafters will obstruct the venting system when attached. If this is the case, you may want to adjust the location of the unit or consult with your framing contractor for options in adjusting the framing.

2. Determine where the horizontal vent pipe will exit through the exterior wall. Frame a 10" x 10" opening at the exit location and mount the horizontal firestop. This firestop will assure that all clearances to the vent pipe are maintained. (See fig. 10)

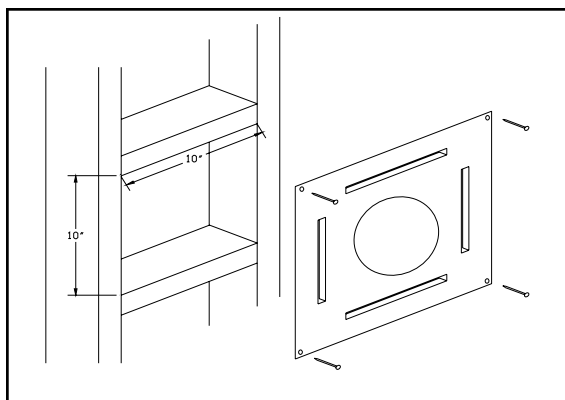


Fig. 10 – Horizontal Firestop

3. To properly assemble the Simpson Vent pipe a high heat sealant, such as Mil-Pac or Dap High Heat Mortar, should be used to ensure an airtight vent. Apply the sealant to the inner collar of the pipe, line up the lugs on the outside of the pipe, slip the pipe together and then twist the pipe to lock the lugs together (see fig 11). Wrap the outer seam of the vent pipe with aluminum tape or seal with silicone.

NOTE: All pipe joints must be sealed with Mill-pac or Dap High Heat Mortar on the inner pipe and aluminum tape or Silicone on the outer joint.

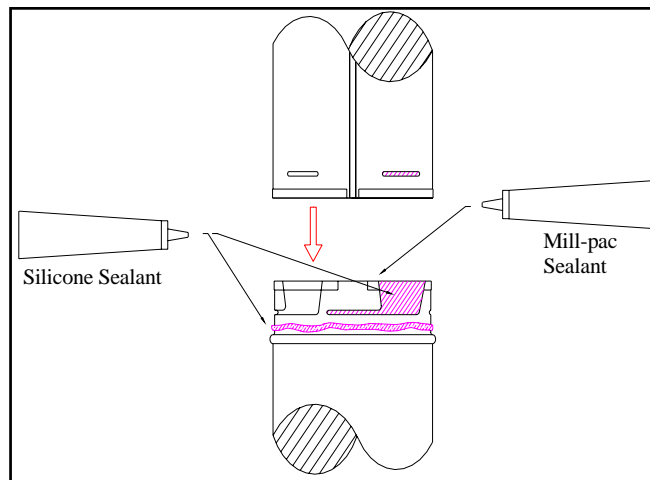


Fig. 11 – Applying Sealant

NOTE: Clearances to combustibles from the vent pipe must be adhered to. See the table below for proper clearances.

Horizontal Venting Clearances

TOP OF PIPE	2" to combustibles
SIDES OF PIPE	1" to combustibles
BOTTOM OF PIPE	1/2" to combustibles

4. Install the vertical pipe needed, followed by the elbow to achieve the pre-determined exit height and then extend the horizontal section of vent through the pre-mounted horizontal firestop. The pipe extending through the exterior wall should not extend beyond the surface, which the termination cap will be mounted to, more than 1" but needs to be at least flush with this surface (see fig. 12).

5. Carefully slide the vent termination over the vent pipe from the outside and flush it up against the exterior wall. Level the termination cap for appearance sake, making sure the arrow is pointing upward on the termination cap (see fig. 13). Carefully fasten the termination cap to the exterior wall (see fig. 14) using the screws provided in the termination box. You may seal around the termination cap with a quality silicone for insulation purposes.

VENTING

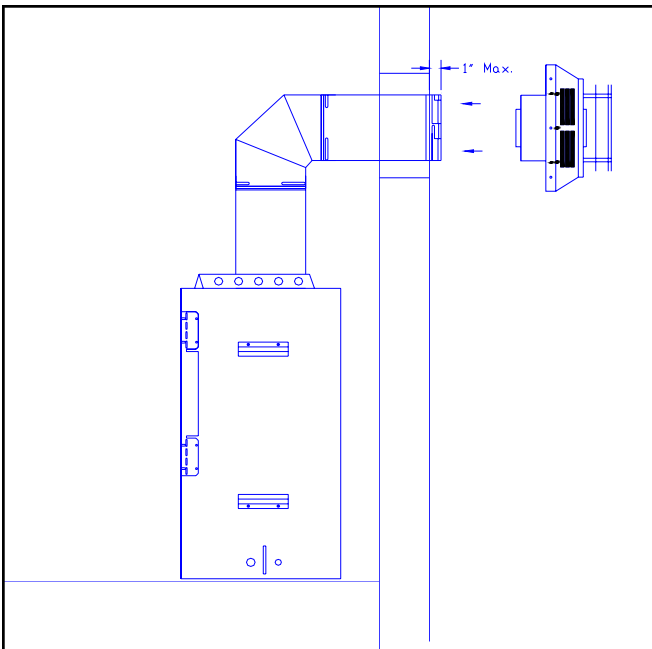


Fig. 12- Pipe Through Wall

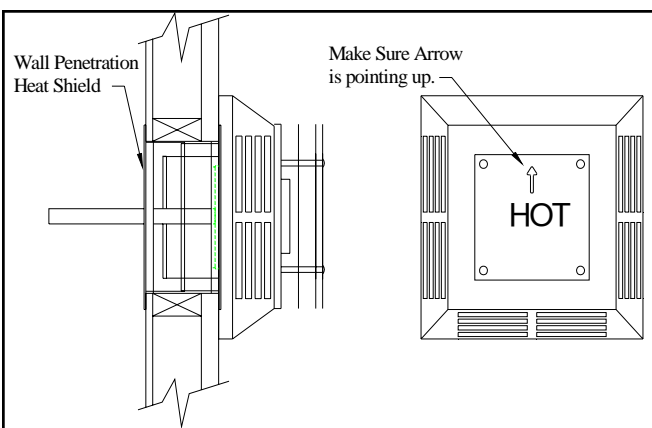


Fig. 13- Termination Orientation

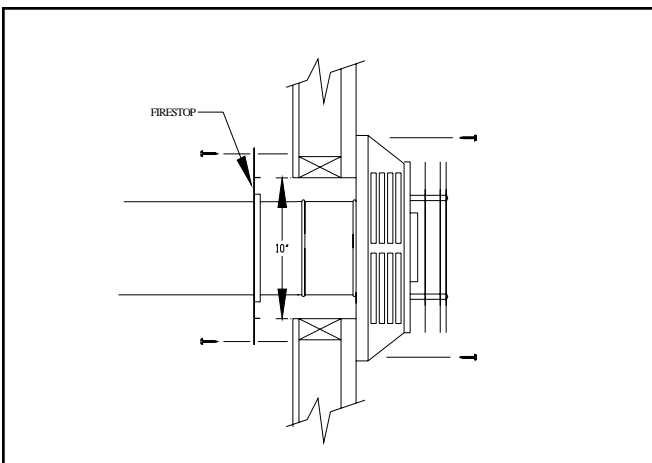


Fig. 14- Anchoring Termination to Wall

VERTICAL TERMINATION

1. Maintain the 1-1/2" clearances to combustibles when passing through ceilings, walls, roofs, enclosures, attic rafters, or other nearby combustible surfaces. See the diagrams on page 13 of this manual for the maximum vertical rise of the venting and the maximum horizontal offset limitations.
2. With the gas appliance in its desired location, drop a plumb bob from the ceiling to the position of the appliance flue exit and mark the location where the vent will penetrate the ceiling. Drill a small hole at this point. Next, drop a plumb bob from the roof to the hole previously drilled in the ceiling and mark the spot where the vent will penetrate the roof. Determine if ceiling joists, roof rafters, or other framing will obstruct the venting system. You may choose to relocate the fireplace or offset the venting to avoid cutting framing members (see figure 16).

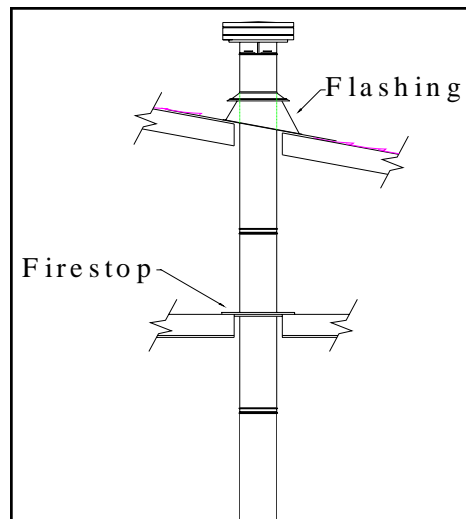


Fig. 15- Vertical Venting

3. A Firestop spacer must be installed in the floor or ceiling of every level. To install the Firestop spacer in a flat ceiling or wall, cut a 10 inch square hole. Frame the hole as shown in (Figure 17) and install the firestop.
4. Assemble the desired lengths of pipe and elbows. Ensure that all pipes and elbow connections are in the fully twist-locked position and sealed with Mill-pac brand sealant on the inside collar and aluminum tape on the exterior. An air tight must be created.

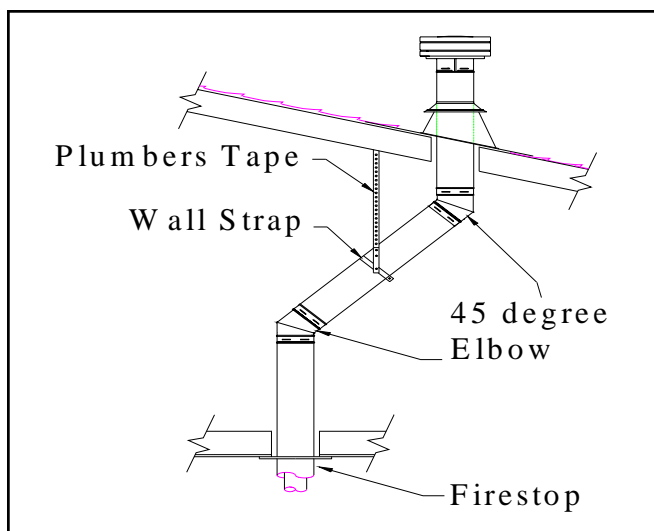


Fig. 16– Venting Offsets

See Offset Table for additional details (fig. 19).

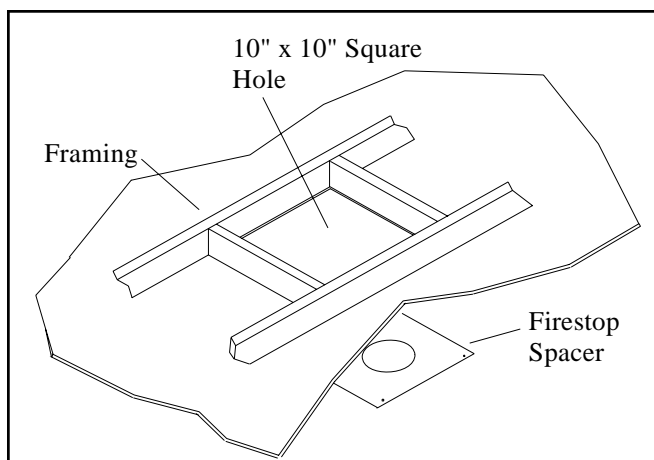


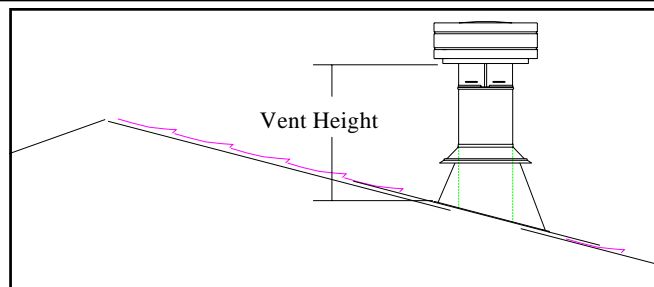
Fig. 17 – Firestop Installation

5. Cut a hole in the roof centered on the small drilled hole placed in the roof in Step 2. The hole should be of sufficient size to meet the minimum requirements for clearance to combustibles of 1 1/2".

6. Continue to complete the assembly of the pipe lengths. See (figure 18) for proper vent height projecting through the roof.

7. Ensure that the vent is vertical and secure the base of the flashing with roofing nails. Slide the storm collar over the pipe section and seal with a mastic type sealant.

8. Install the vent cap by twist locking it in place.



**Roof Pitch Minimum Vent Height
Above Roof Line**

Flat to 9/12	2'
9/12 to 10/12	2-1/2'
10/12 to 11/12	3-1/4'
11/12 to 12/12	4'
12/12 to 14/12	5'
14/12 to 16/12	6'
16/12 to 18/12	7'

Fig. 18 – Vent Height Table

Offset	Pipe Length (L)	Height
4-3/4"	0"	13-1/4"
9"	6"	17-1/2"
11-1/4"	9"	19-1/2"

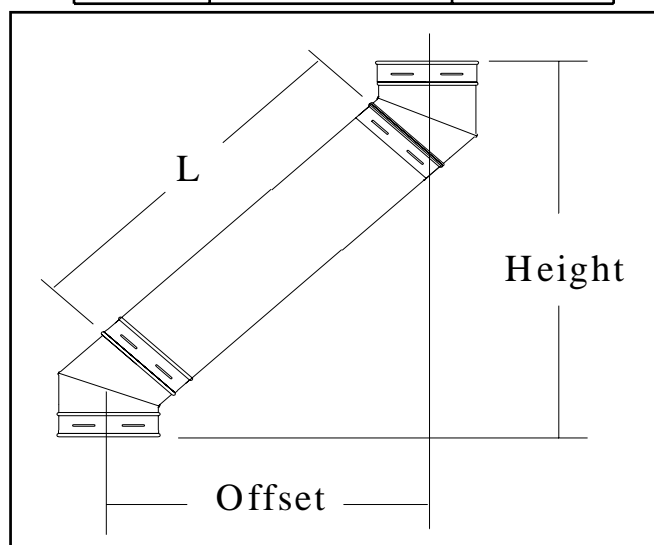


Fig.19 – Offset Table

NOTE: If the pipe is to pass through any closets or storage spaces, the vent must be enclosed. The vent must never be allowed to come in contact with combustibles

FLEX VENTING

INSTALLING FLEX VENT

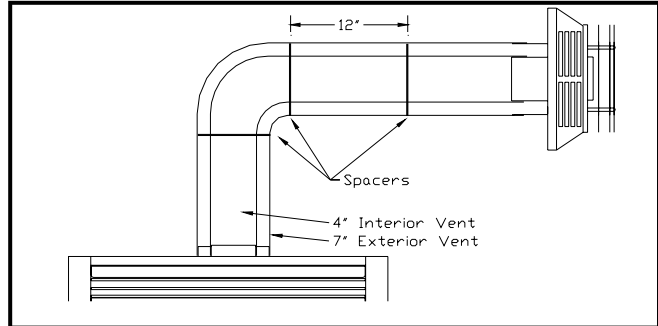
Flex vent may be used in a number of basic installations to simplify the installation process. **It must be noted that the use of flex vent increases the height of the ceiling (as shown in the illustration below right) by 6".** It also needs to be noted that all firestopping practices must be adhered to with flex venting also.

It is recommended that a high temperature sealant such as Mill Pac or Dap High Heat Mortar be used to seal the center flex liner to the appliance vent nipple as well as the vent nipple on the termination cap. Aluminum tape or silicone is recommended to seal the outer flex liner to the appliance and to the vent termination. All four points of connection should be fastened with a band clamp.

As noted in the venting chart below, there must be a minimum of 1' of vertical rise before the transition into the horizontal. 1' of vertical rise will provide a maximum of 2' horizontal run, which will accomplish most exterior wall applications. 2' of vertical rise will accommodate up to 3' of horizontal run, which is the maximum horizontal run allowable with flex vent. Only one 90° transition may be used with the flex vent taking it from the vertical to the horizontal. Offsetting in the horizontal plane is not allowed.

The maximum horizontal run may be 3' with a minimum vertical rise of 3' as shown in the chart below. A maximum vertical run of 8' may be utilized. If your vertical run is greater than 3' you may incorporate up to two bends into the vertical run. The bends must not exceed 45°.

There are spacers Provided to maintain the orientation between the two liners. The spacers need to be utilized at the beginning and the end of a 90° transition and also at 12" intervals during the horizontal run of the flex vent. (see below)



Piping Clearances

Vertical Pipe

1 1/2" to Combustibles

Horizontal Pipe

2" To Combustibles—Top

1" To Combustibles—Sides

Horizontal Venting With One 90 Degree Elbow

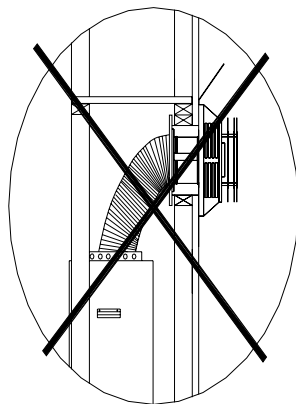
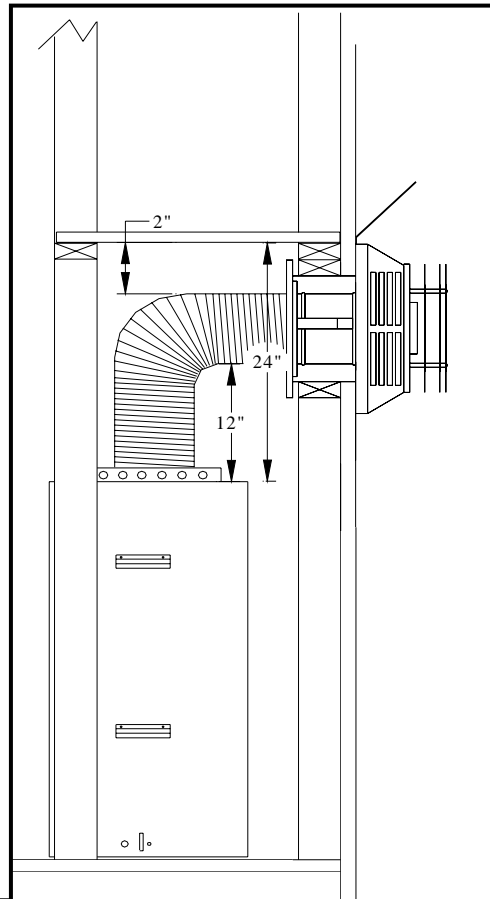
Vertical

1 FT
2 FT
3-8 FT

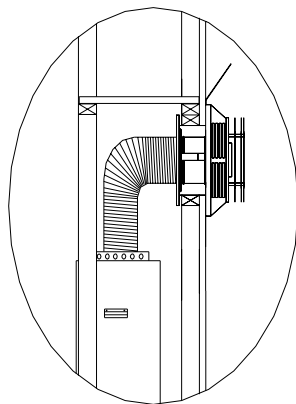
Horizontal

2 FT
3 FT
3 FT

NOTE: Horizontal piping must maintain 1/4" rise per foot.



INCORRECT



CORRECT

POSITIVE PRESSURE SYSTEM

POSITIVE PRESSURE SYSTEM

The Alpine SE-36 is equipped with a highly efficient positive pressure heating system. This system provides outside air for heating. The appliance has been provided with a blower, blower housing, and blower controller. The items below are requirements for the system to work safely and properly.

System Requirements

1. The Positive Pressure system must be ducted to an outside air source or ventilated attic. Air should not be taken directly from a ventilated or non-ventilated crawl space, as freezing of adjacent water piping may occur.
2. The duct may be run an unlimited number of ways; however, the straighter the duct, and the shorter the duct run, the better the air flow will be.
3. In some installations, the blower and the blower housing may be installed near the appliance. If installed near the appliance, the blower housing must be sealed shut and additional ducting run from the blower housing to an outside air source or ventilated attic space.
4. The blower adapter, blower, and blower housing must be securely anchored to minimize vibration noise.
5. The blower must remain accessible for future maintenance.
6. It is critical that the air intake for the positive pressure system and the vent outlet or termination be spaced a minimum of 3' apart. The intake should also NEVER BE PLACED ABOVE the exhaust vent outlet on the exterior of the home.
7. Any questions regarding the proper installation of the Positive Pressure system should be directed to your Alpine Dealer.

SYSTEM OPTIONS

Typical installation of the Positive Pressure system into a new construction installation is drawn in (figures 20 and 21).

If the installation is to be below grade, the ducting must be lengthened and installed as in (figure 22).

The blower housing comes as an unassembled kit. See the kit container for housing assembly instructions.

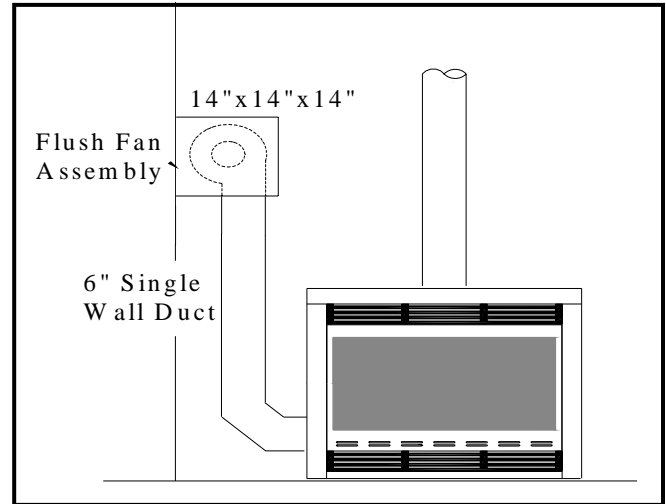


Fig. 20 – Typical Positive Pressure System

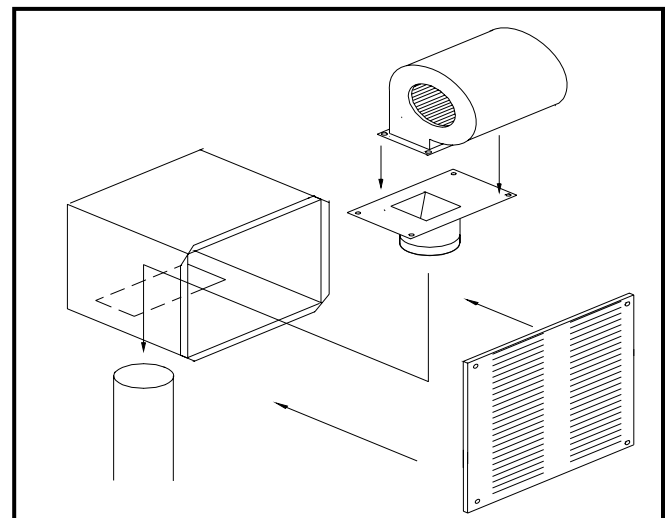


Fig. 21 – Typical Blower Housing

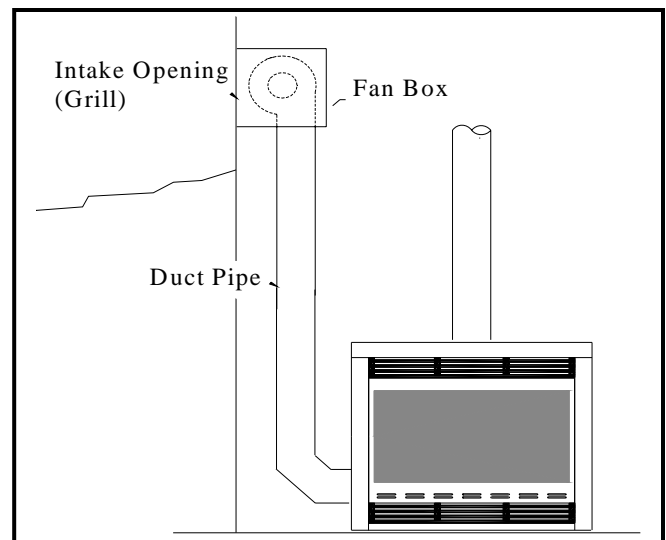


Fig. 22 – Below Ground Installation

POSITIVE PRESSURE SYSTEM

If the appliance is to be installed into existing construction, or if there is no possibility of mounting the blower within the chase enclosure, the blower housing must be extended outside the house (see figures 23 and 24) or into a ventilated attic. The recessed blower housing may be adapted to an extended assembly by covering the bottom opening with screen. You may also order the extended housing assembly from Alpine.

A good quality 6" galvanized heating duct should be used for the positive pressure system. The ducting joints should be mechanically fastened and sealed with aluminum duct tape. Connect the ducting to the 6" opening on either the left or the right side of the fireplace. The intake is reversible and can be set up on either side. Ensure that the unused side has the cover plate reinstalled and is sealed air tight (see figure 25).

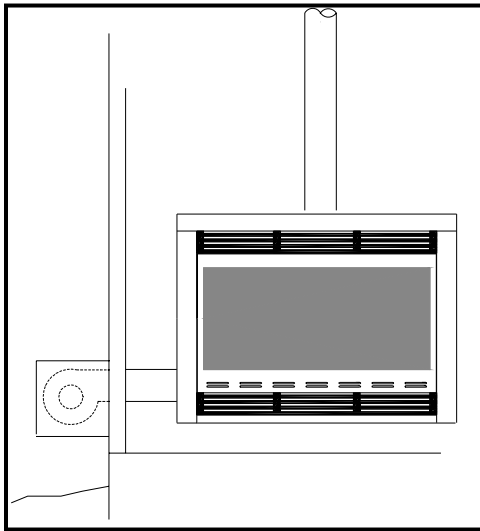


Fig. 14- Extended Blower Installation

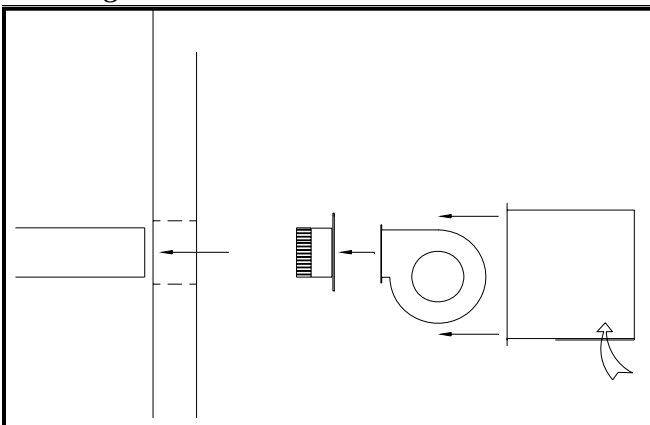


Fig. 15- Extended Blower

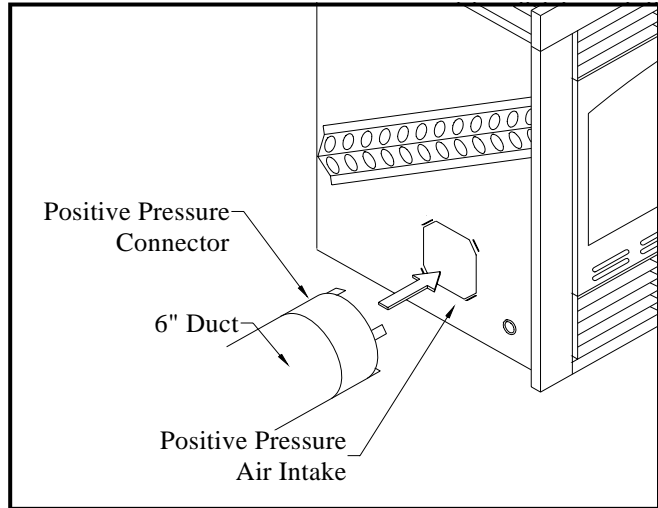


Fig. 25 - Positive Pressure Connection

While installing the positive pressure system, ensure that a 14/2 grounded sheathed electrical cable is connected to the blower and routed to the blower control location. The blower needs to be grounded upon installation by connecting the ground line from the sheathed cable to the blower as well as a grounding connector in the junction box (see wiring instructions on page 20 of this manual).

Some installations make it necessary to run the positive pressure ducting up into a ventilated attic, or down and out floor joists below the appliance, or into a garage then to an outside wall or ventilated attic space (see figure 26).

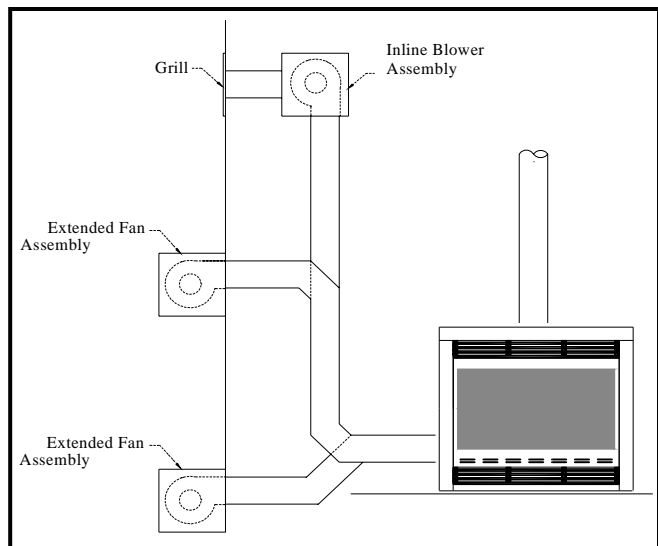


Fig. 26 - Possible Blower Locations

NOTE: When installing the positive pressure system, always follow local mechanical codes.

INSTALLING ELECTRICAL CONTROLS AND WIRING

A 110 volt power supply is required to operate the appliance blower. **The appliance must be electrically grounded in accordance with local codes, or in the absence of local codes with the current National Electrical Code, ANSI/NFPA 70.** The blower controller (provided) should be mounted in a wall within a few feet of the appliance, in a convenient location. Once the location of the blower controller has been identified, mount a metal or plastic electrical box and route a 110-120 VAC line into the box. You will need another electrical line ran from that box into the junction box provided on the fireplace. You will also need to run an electrical line from the blower to the junction box provided on the fireplace. Make the electrical connections in the junction box as shown in (figure 28).

The blower controller electrical box may be used for the main junction box (see fig. 29).

Conduit is not necessary if romex is used between the appliance and the blower controller and also between the blower and the appliance, instead of high temperature wire.

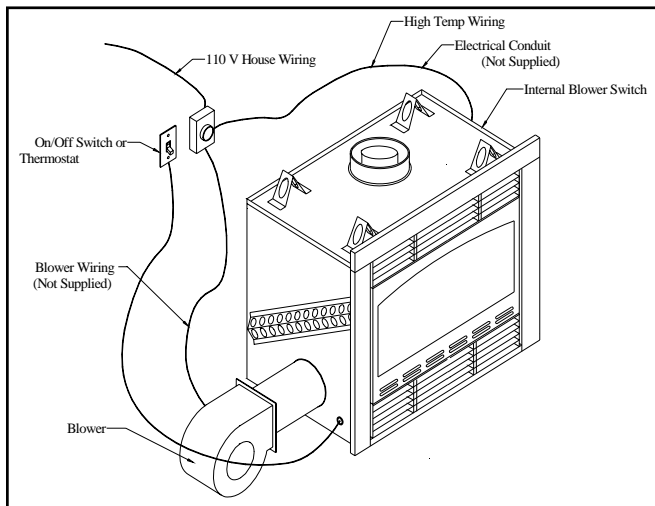


Fig. 27 – Typical Electrical

The appliance is also equipped with a millivolt system that controls the main gas control valve. A low voltage two strand wire set needs to be routed from the main gas control valve to the desired position of the wall switch. Some prefer the switch be co-located with the positive pressure blower controller. If this choice is made, a **DIVIDED** double gang electrical box must be installed. (A standard (non-divided) double gang box cannot be used.)

NOTE: Proper grounding must be maintained on the appliance and on the blower assembly.

NOTE: Do not allow any wiring to rest against the appliance as fire danger may result.

NOTE: DO NOT connect any electricity to the main gas control valve wiring. Valve damage will certainly occur.

NOTE: Electrical wiring must be installed by a licensed electrician.

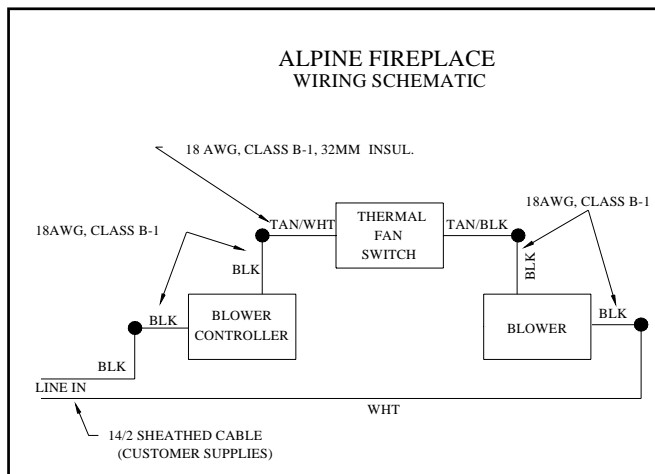


Fig. 28 – Wiring Schematic

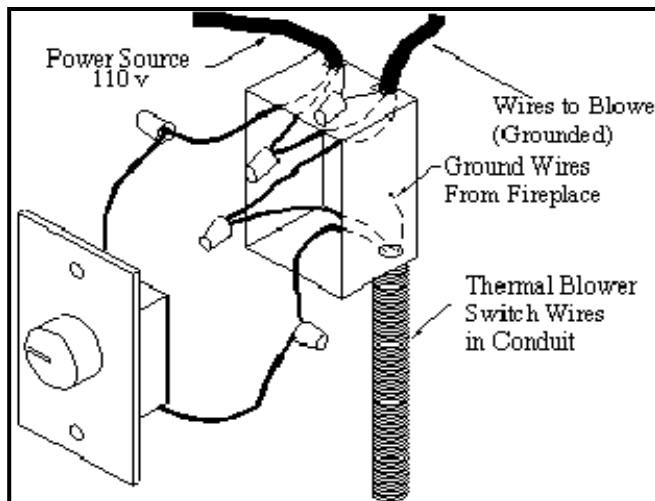


Fig. 29– Controller Wiring

WIRING/LOG INSTALLATION

When installing the low voltage wiring. It is essential that the wires be marked so as to never have 110 volt /24 volt power attached to them. If power is attached to the control valve, damage will certainly occur.

The appliance generates the millivoltage needed to operate the gas control system. A standard wall toggle switch or a millivolt thermostat may be used to control the main gas valve.

The millivolt system has limitations on the distance it can be installed from the fireplace. The greater the distance from the fireplace, the larger the wire size must be to prevent loss of the millivoltage. See the table below for recommendations.

<u>Maximum Length</u>	<u>Wire Gauge</u>
9'	22 ga.
13'	20 ga.
20'	18 ga.
30'	16 ga.
50'	14 ga.

Millivolt thermostats and remote controlled millivolt thermostats are available from your Alpine dealer.

See (figure 30) for wiring illustration of the control valve. A snug connection must be made at the control valve and the switch location to ensure reliable operation. Do not over tighten the screws at the control valve, they will strip.

Note: Local codes need to be followed when installing any electrical appliance. If conflicts between this manual and local electrical codes exist. Local codes always prevail.

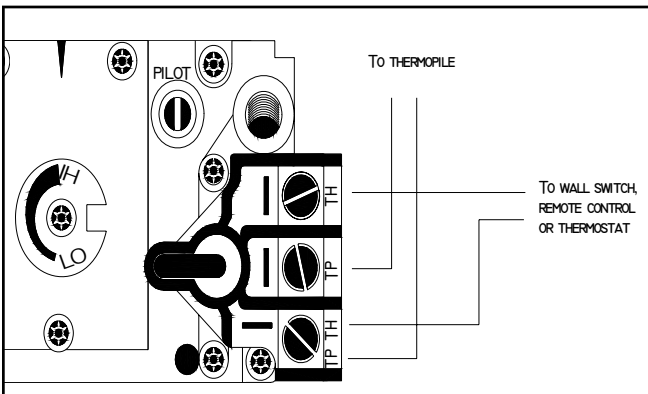


Fig. 30 – Millivolt System

LOG INSTALLATION

Carefully remove logs from their packaging. You will notice that your Alpine Gas Fireplace logs are extremely lightweight and are very fragile, care must be taken when handling. It is also important to note that the positioning of the logs in the fireplace is very critical, the logs must be installed as instructed in this manual to maintain an attractive and clean burn. **NOTE: DO NOT CHANGE THE LOGS ORDER OF INSTALLATION IN ANY WAY.**



Fig. 31 – Back Log

Locate the back log (36-1) and position it over the locating pins on the back of the burner. (fig.31)



Fig. 32 – Side Logs

Locate the left side log (36-2) and place it so the flat side faces the left side wall. Push it back against the back log and swing the front towards the center of the firebox until the log hits the grate. Locate the right side log (36-3) and position it so the flat side faces the right side wall. Push it back against the back log and swing the front towards the center of the firebox until the log hits the grate. (fig.32)

LOG INSTALLATION



Fig. 33– Bottom Twigs

Locate the bottom left twig (36-4) and position it onto the left pair of locating pins with the burned face towards the front. Next find the right bottom twig (36-5) and position it onto the right pair of locating pins with the burned face towards the front. (fig.33)



Fig. 34 – Ember Placement

The ember placement is critical for the appearance of the fireplace as it is burning but can also cause improper combustion if not applied correctly. Take small dime sized pieces of ember material and place it directly behind the burner ports along the front of the burner. NOTE: DO NOT COVER BURNER PORTS. You may cover the dead areas on either side to hide the log pads and burner. (fig.34)



Fig. 35 – Center Twig

Locate the center twig (36-7) and place its single end into the receiving hole/pad on the back log and rest its Y end on the bottom twigs (36-4 & 36-5). The center grate iron should be centered in the logs Y. (see fig.35)



Fig. 36 – Right Top Twig

Locate the right top twig (36-6) and place its Y into the pad on the right side log (36-3) and let its single end rest on the burner . There is a dead spot on the burner for the log. (see fig.36)



Fig. 37 – Left Top Twig

Locate the top left twig (36-8) and place it on the left side log (36-2) and left bottom twig (36-4) onto the pads provided. (see fig. 37)

GLASS AND LOUVER INSTALLATION

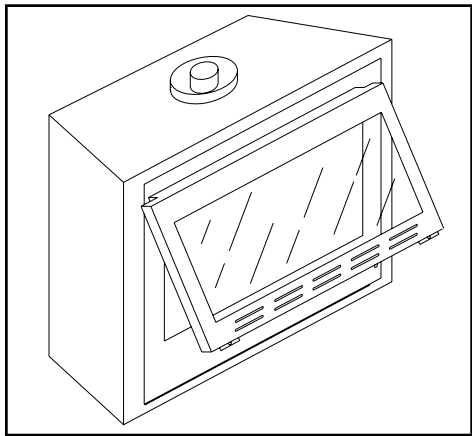


Fig. 38 – Installing The Glass Trim

The glass trim hangs on the top rail and rests on the sealing surface of the fireplace. (see fig. 38)

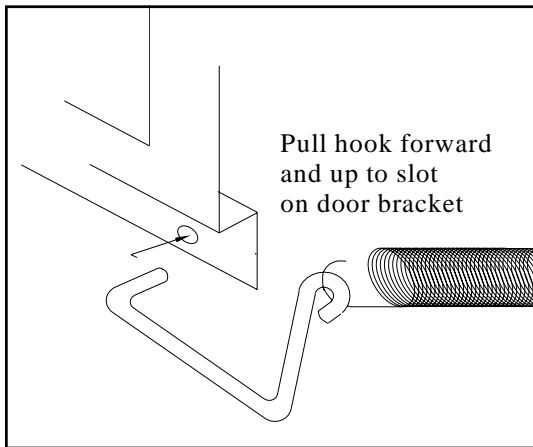


Fig. 39 – Door Locking Assembly

Locate the door hooks in the control area of the appliance and one at a time pull the hook out towards you until you can insert the end of the hook into the receiving hole on the glass trim. Repeat with the remaining hook. (see fig. 39)

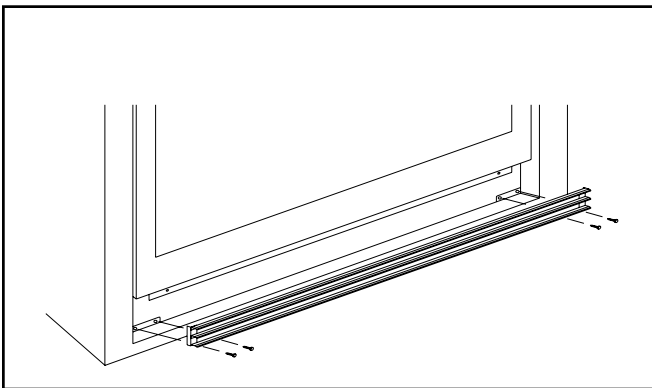


Fig. 40 – Installing The Bottom Louver

Fasten the bottom louver with the screws provided. Anchor the hinges to the mounting tabs at the bottom of the fireplace. The mounting holes are provided for simple installation. (see fig.40)

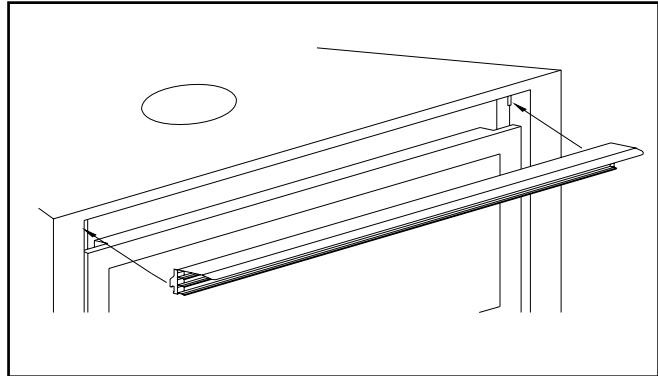


Fig. 41 – Installing The Top Louver

The top louver is held in place by drop in tabs that fit into receiving slots on the fireplace. Simply place louver up to the opening, push up on the louver and back and let the louver tabs drop into their respective slots. (see fig. 41)

AERATION ADJUSTMENT

NOTE: The following assumes that the gas line has been connected and leak tested by a qualified technician.

The primary air adjustment is preset at the factory. Little or no adjustment may be required for natural gas. Propane will perform very differently at different altitudes and from different fuel suppliers. Some adjustment will most likely be needed for an appliance burning propane.

The flame should have a blue base with yellow tips. A dark orange flame with sooting and black smoke indicates a lack of primary air. The primary air shutter is located in the firebox on the right hand side of the burner. Adjust the primary mixture by loosening the set screw on the air shutter and increasing the opening for more air and a bluer / cleaner flame, or by closing the air shutter for a more yellow flame. See (figures 42 and 43) for proper flame characteristics, and primary air adjustment.

REMOTE CONTROL (Optional)

An Alpine Remote Control Kit (08501) may be installed on this fireplace. The remote control kit comes with a hand held transmitter, a receiver, a wall mounting plate, and a wall mounted transmitter cradle. The remote control is thermostatically controlled so you can set the fireplace to the desired room temperature, and have that temperature maintained. The remote control is battery powered and will require periodic maintenance to keep the system working properly.

1. Choose a convenient location on the wall to install the receiver unit. A standard electrical box may be used. Run wires from the fireplace valve to the desired wall location. See the millivolt lead table on page 14 of this manual for maximum wire runs.
2. Connect the wires to the gas valve (see figure 44).
3. Follow the installation instructions included with the remote control kit.

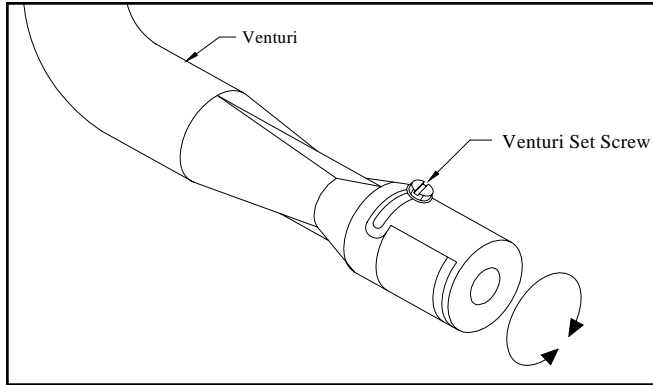


Fig. 42 – Primary Air Adjustment

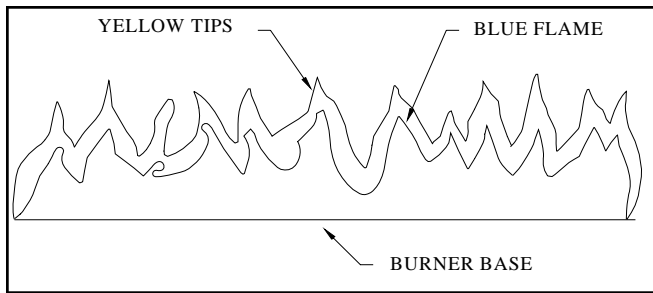


Fig. 43 – Proper Flame Characteristics

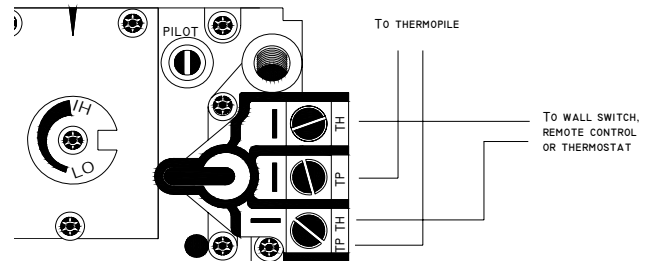


Fig. 44 – Gas Valve Connection

WALL THERMOSTAT (Optional)

A wall thermostat may be installed if desired. Follow the wire routing instructions on page 23 of this manual. Alpine offers a digital, wall mounted, programmable thermostat (part # 08261).

NOTE: If a Wall Thermostat is desired, there is no need to install a wall junction box. The thermostat wire will simply need to be routed to the desired location of the wall thermostat and made accessible through a small hole in the drywall. Both types of thermostats are surface mounted on the finished wall. They should not be installed until painting is complete.

OPERATING INSTRUCTIONS

FOR YOUR SAFETY READ BEFORE LIGHTING

This appliance must be installed in accordance with local codes, if any;
If not, follow the current ANSI Z223.1

WARNING: If you do not follow these instructions exactly, a fire or explosion may result causing property damage, personal injury or loss of life. Improper installation, adjustment, alteration, service or maintenance can cause injury or property damage. Refer to the owner's information manual provided with this appliance. For assistance or additional information consult a qualified installer, service agency or gas supplier.

- A) This appliance has a pilot which must be lighted by hand. When lighting the pilot, follow these instructions exactly.
- B) BEFORE LIGHTING smell all around the appliance area for gas. Be sure to smell next to the floor because some gas is heavier than air and will settle on the floor.
- C) Use only your hand to push in or turn the gas control knob. Never use tools. If the knob will not push in or turn hand, don't try to repair it, call a qualified service technician. Force or attempted repair may result in a fire or explosion.
- D) Do not use this appliance if any part has been under water. Immediately call a qualified service technician to inspect the appliance and to replace any part of the control system and any gas control which has been under water.

WHAT TO DO IF YOU SMELL GAS

- Do not try to light any appliance
- Do not touch any electrical switch, do not use any phone in your building.
- Immediately call your gas supplier from a neighbors phone. Follow the gas suppliers instructions.
- If you cannot reach your gas supplier, call the fire department.

This appliance needs fresh air for safe operation and must be installed so there are provisions for adequate combustion and ventilation air.

CAUTION: Hot while in operation. Do not touch. Keep children, clothing, furniture, gasoline and other liquids having flammable vapors away. Keep burner and control compartment clean. See installation and operating instructions accompanying appliance.

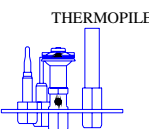
LIGHTING INSTRUCTIONS

STOP! Read the safety information above on this label.

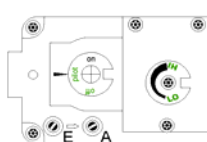
- 1) Push in gas control knob slightly and turn clockwise to "OFF". Knob cannot be turned from "PILOT" to "OFF" unless knob is pushed in slightly. Do not force.
- 2) Wait five (5) minutes to clear out any gas. If you then smell gas STOP! Follow "B" in the safety information above on this label. If you don't smell gas, go to the next step.
- 3) Turn knob on the gas control counterclockwise to "PILOT".

- 4) Push in control knob all the way and hold in. Continually push and release the red button on the spark ignitor until pilot lights. Continue to hold the control knob in for about 1/2 minute after the pilot is lit. Release knob and it will pop back up. Pilot should remain lit. If it goes out, repeat steps 1 to 4. If knob does not pop up when released, stop and immediately call your service technician or gas supplier. If the pilot will not stay lit after several tries, turn the gas control knob to "OFF" and call your service technician or gas supplier.

Pilot Burner



Clockwise to "OFF"



- 5) Turn gas control knob counterclockwise to "ON"
- 6) Use the toggle switch to operate main burner.

TO TURN OFF GAS APPLIANCE

- 1) Push in the gas control knob slightly and turn clockwise to "OFF". Do not force.
- 2) Turn off all electric power to the appliance if service is to be performed.

DO NOT REMOVE THIS INSTRUCTION PLATE

LX-999-1

OPERATING INSTRUCTIONS

FIRST FIRE

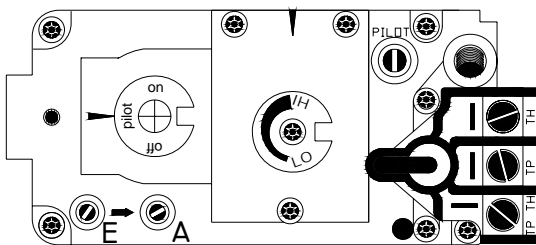
- 1) The first fire in your fireplace will help cure the painted surfaces. To ensure that the paint is properly cured, it is recommended that you burn your fireplace for at least four (4) hours the first time you use it with the fan on. When first operated, the unit will release an odor caused by the curing of the paint and other components. Smoke detectors may go off during this initial break-in period. Open windows or doors in the area of the fireplace to allow for ventilation during the break-in period.

NOTE: *When the fireplace is cold and the appliance is first lit, it may cause condensation and fog the glass. This condensation is normal and will disappear in a few minutes as the glass heats up.*

- 2) Read and understand these instructions completely before attempting to operate this appliance.
- 3) Be sure that all items in this installation portion of this manual have been properly completed in compliance to local codes and this manual.

LIGHTING PROCEDURE

- 1) Turn burner OFF using the “ON/OFF” switch or by turning the thermostat or remote control to the “OFF” position.
- 2) Turn gas control knob so indicator points to “OFF” position and allow 5 minutes for any gas in the combustion chamber to escape.
- 3) Turn the gas control knob counterclockwise so the indicator points to the “PILOT” position. Depress the gas control knob fully. Depress the igniter button several times until the pilot lights. After approximately one minute, release the gas control knob. The pilot flame should continue to burn. If the pilot does not remain lit, repeat operation allowing a longer period before releasing gas control knob.
- 4) When the pilot stays lit, turn the gas knob further counterclockwise to the “ON” position.
- 5) Use the wall switch, thermostat or remote control to turn on the unit.
- 6) Rotate the flame height regulator to adjust the flame height higher or lower.



SHUTDOWN PROCEDURE

- 1) Use the wall switch, thermostat or remote control to turn off the main burner.
- 2) Turn the main gas control clockwise to the “OFF” position. Turn off all electricity to the appliance if service/maintenance is to be performed.

FIREPLACE MAINTENANCE

- 1) Before performing any service on the appliance, ensure the gas has been completely shut off, the unit cooled, and the electricity shut off to the appliance.
- 2) The burner and valve control compartments must be cleaned annually. A vacuum with a brush attachment works well. The logs should be cleaned gently with a soft bristle brush. The logs are fragile and are easily damaged.
- 3) Clean the appliance with a damp cloth. Never use abrasive cleaners. The glass should be cleaned with a gas fireplace glass cleaner. The glass will slowly build a thin white film on the inside. This film is normal and can be removed using a fireplace glass cleaner available at your local dealer.
- 4) The fireplace is finished with a high temperature paint. If your fireplace needs to be repainted or touched up, see your local dealer for StoveBright Paint.
- 5) The appliance and the venting system must be inspected before use, and at least annually, by a qualified field technician. The vent must be inspected to ensure that the flow of combustion air and ventilation air is not obstructed.
- 6) Do not use this appliance if any part has been under water. Immediately call a qualified service technician to inspect the appliance and to replace any part of the control system and any gas control which may have been under water.
- 7) If the venting system is disassembled for any reason it must be properly resealed as per the instructions in the venting section of this manual. Never operate the appliance if the venting system is not properly sealed.
- 8) The blower system requires annual lubrication. The blower is marked with lubrication points. Use a good quality light machine oil for lubrication. Apply three drops per port annually.

GOLD PLATED or STAINLESS TRIMS

The gold plate or stainless trims on the fireplace require little maintenance. If the pieces get fingerprints or dust build-up, you should use a damp cloth only for cleaning. DO NOT use cleaners of any type on the stainless or gold. Be sure to clean any fingerprints off of the unit BEFORE turning the fireplace on.

SERVICE INFORMATION

GLASS GASKET

If the glass gasket needs to be replaced, contact your local dealer for the correct replacement part. Never attempt to use any gasket, other than the correct replacement gasket on the glass. Use part # 07840.

GLASS PANEL

WARNING: Do not slam the door or strike the ceramic panel with a heavy or hard object. Breakage of the panel will result.

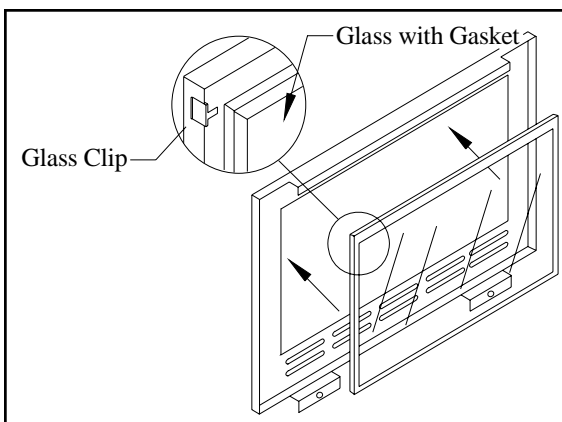
WARNING: Do not operate the appliance with the glass front removed, cracked, or broken. Replacement of the glass panel should be done by a qualified service technician.

Your fireplace is supplied with a 30-1/8" x 19", high temperature, 5mm ceramic glass panel that is capable of withstanding the highest heat that your fireplace can produce. Never attempt to use another type of glass or other material. If your glass requires cleaning, you should obtain an approved gas fireplace glass cleaner available at your fireplace dealer. Do not use abrasive cleaners to clean the glass panel. **DO NOT CLEAN THE GLASS WHEN IT IS HOT!**

In the event that you break your glass by impact, purchase your replacement from an authorized Alpine dealer. See the replacement parts list for ordering information. Follow the replacement steps below.

Replacing the Glass

- 1) Remove the door by releasing the glass clip springs found in the valve chamber area.
- 2) Always wear gloves to protect yourself from sharp edges. Remove all loose or damaged glass from the frame.
- 3) Insert the new glass panel with the gasket preinstalled
- 4) Use the 4 existing Tinnerman glass clips to hold the glass in place.
- 5) It is imperative that the glass be spaced in the frame so that it is lightly resting within the door frame.



LOG REPLACEMENT

The fireplace must never be operated if the logs are broken or damaged. To replace the logs follow the steps below.

- 1) Turn off the gas supply and allow the fireplace to cool completely before servicing.
- 2) Open the glass door panel.
- 3) Gently remove the logs from the firebox. Be sure to note their position.
- 4) Obtain the proper replacement for the broken log.
- 5) Replace the log set and close the door panel.

NOTE: It is critical that the logs are placed in the proper locations. Improper positioning of logs may create carbon build-up and will severely alter the unit's performance. Poor appliance performance caused by improper log installation is not covered under warranty.

THERMOPILE / THERMOCOUPLE

- 1) Remove the glass door
- 2) Open the bottom valve chamber
- 3) Double check to make sure gas supply is turned off
- 4) Disconnect the thermocouple by loosening nut from the valve with a 9mm wrench. Disconnect the thermopile by loosening 2 screws marked TP on the valve.
- 5) Remove the two 1/4" screws holding the pilot assembly in its bracket. Gently lift the pilot assembly up 2".
- 6) Disconnect the thermopile and thermocouple with a 7/16" wrench.
- 7) Replace the thermocouple or thermopile.
- 8) Reinstall in reverse order.

INSPECTING THE PILOT / BURNER

Periodic inspection of the pilot and main burner is required. (Figure 43, located on page 27 of this manual), illustrates proper flame characteristics for the main burner. See (figure 45) below for proper pilot flame characteristics.

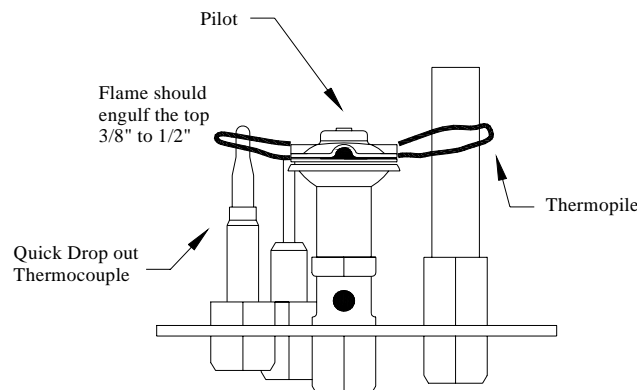


Fig. 45 – Pilot Flame Characteristics

REMOVING VALVE

- 1)Open the bottom valve door
- 2)Shut off the gas supply
- 3)Disconnect the inlet gas line (3/4” wrench)
- 4)Disconnect the 2 TP wires from the valve
- 5)Disconnect the 2 TH wires from the valve
- 6)Disconnect the pilot tube from the valve (use a 7/16” wrench)
- 7)Disconnect the thermocouple from the valve (use 9mm wrench)
- 8)Disconnect the main burner tube (11/16” wrench)
- 9)Remove the 2 square nuts securing the valve holder to the floor
- 10)Remove the valve from the appliance

CAUTION: Never use an open flame to check for gas leaks. Always use a soap solution to check for leaks.

INSTALLING VALVE

- 1)Mount valve to valve holder
- 2)Place valve / valve holder back into position
- 3)Secure valve with 2 square nuts
- 4)Connect main burner gas tube (use 11/16” wrench)
- 5)Connect the thermocouple to the valve (use a 9mm wrench)
- 6)Connect the pilot tube to the valve (use 7/16” wrench)
- 7)Connect the TH wires to the valve
- 8)Connect the TP wires to the valve
- 9)Connect the main gas supply to the valve (use a 3/4” wrench)
- 10)Double check to make sure all connection are complete and tight
- 11)Restore gas supply
- 12)Using a soap solution, check for leaks in main gas supply.
- 13)Make sure the toggle switch is in the “OFF” Position
- 14)Ignite pilot and check for leaks in pilot line
- 15)Ignite main burner and check for leaks in main burner tube.

PARTS LIST

REPLACEMENT PARTS LIST

07623	Log Set (8 Logs)	04023	Fan Adapter
07655	Embers	04004	Flush Fan Box
05149	Glass Clips	04005	Extended Fan Box
07840	Glass Gasket	04006	Inline Fan Box
06145	Glass 30-1/8" x 19"	08261	Programmable Thermostat
04081	Door Spring Hook	08260	Thermostat
09231	Fan Speed Control	24504	Glass Trim-Arch
08255	White Toggle Switch	24506	Glass Trim-Standard
04036	S.I.T. Valve Nat. Gas	24510	Face Top-Arch
08991	S.I.T. Regulator L.P.		
08221	Thermodisc 180°F		
37100	Burner – Nat Gas / Prop		
04046	Piezo Igniter		
04080	Door Extension Spring		
08210	Blower Assembly		
04038	Pilot Assembly –N.G.		
05082	Pilot Orifice L.P.		
06095	Bottom Door Hinge		
08501	Remote Control		
24500	Top Door		
24502	Bottom Door		

NOTE: Before troubleshooting the gas control system, be sure the external gas shut off is in the “ON” position.

WARNING: TO PREVENT INJURY OR PROPERTY DAMAGE, REMOVE THE GLASS PANEL FROM THE APPLIANCE BEFORE DOING ANY WORK ON THE GAS CONTROL SYSTEM. FAILURE TO DO SO COULD RESULT IN GAS BUILD-UP AND EXPLOSION.

GAS SYSTEM TROUBLESHOOTING		
PROBLEM	POTENTIAL-CAUSES	CORRECTIVE ACTION
Spark igniter will not light pilot.	Piezo wire loose Defective Piezo ignitor Piezo wire grounding out Electrode is grounding out Electrode is sparking at wrong location Defective thermopile	<ul style="list-style-type: none"> • Check for spark at electrode and pilot. If no spark, disconnect wire at electrode, put wire to ground, and try igniter again. If still no spark follow the Piezo wire to Piezo igniter to see where grounding may be occurring. Position electrode into pilot so gas may be able to contact spark. • Check pilot flame, must impinge on thermopile and thermocouple
Pilot will not stay lit after carefully following lighting instructions	Defective thermocouple Thermopile / thermocouple grounding out. Loose thermopile leads TP-THTP on valve Defective automatic gas valve	<ul style="list-style-type: none"> • Clean and/or adjust pilot so pilot is enveloped around thermopile and thermocouple. • Be sure wire connections at gas valve terminals are tight and thermopile and thermocouple are fully inserted into pilot bracket • Check switch wires to make sure they are not grounding • Check thermopile with millivolt meter. Take reading at thermopile terminals of valve TP-TPTH. Should read 250 millivolts minimum while thermopile has pilot flame on it. • With the pilot ignited, turn valve knob to on. Take reading at TP-TPTH with on/off switch in on position. Reading should be 100mv or greater. If reading is OK and pilot does not hold, replace
Pilot burning, no gas to burner.	Valve wire connections are loose	<ul style="list-style-type: none"> • Check two way switch / wall switch for proper connections. Jumper wire across terminals at wall switch. If burner comes on, replace switch.
Valve knob is on	Valve wires are defective	
Wall switch is on		<ul style="list-style-type: none"> • If okay, jumper wire at valve (TH-THTP). If unit turns on, replace wires or check for loose connections.
Frequent pilot out- age problems	Pilot flame may be too low or blowing high causing the pilot safety to drop out Wall switch wires may be grounding out. Thermopile or thermocouple may be grounding out.	<ul style="list-style-type: none"> • Clean and adjust pilot for maximum flame impingement on thermopile and thermocouple. • Trace wires from valve to wall switch for possible damage or grounding against appliance or gas supply. Trace thermopile wires from valve to thermopile for possible grounding against the appliance or gas valve.

Caution: Any safety screen or guard removed for servicing an appliance must be replaced prior to operating the appliance

SERVICE INFORMATION

NOTE: Before troubleshooting the Positive Pressure system, be sure the power to the appliance is on.

POSITIVE PRESSURE SYSTEM TROUBLESHOOTING		
PROBLEM	POTENTIAL	CORRECTIVE ACTION
Blower will not operate	<p>Blower controller is in the "OFF" position</p> <p>Thermal blower switch is defective</p> <p>Blower is defective</p> <p>Blower control is defective</p>	<ul style="list-style-type: none"> • Turn blower controller to variable position • With the power supply off, remove the blower control switch without disconnecting wires. Identify and isolate thermal blower switch wires. With an electrical continuity tester, test for continuity. Reading should be zero. Run the fireplace for 10 minutes. There should now be continuity. Turn burner off. If there is no continuity with the fireplace hot. Replace the thermal blower switch inside the firebox. • With the power supply off, disconnect the wiring from the blower and connect a 115 V. power supply directly to the blower. If the blower operates, re-connect wires and move to the next step. • If the blower and thermal blower switch are functional and all wiring is continuous and functional. Replace the blower controller.
Blower makes rattling sound	<p>Blower needs oiling</p> <p>Blower cage is loose or misaligned</p> <p>Blower is worn out</p>	<ul style="list-style-type: none"> • Oil blower with light machine oil. • Tighten squirrel cage on shaft (internal allen set screw) or adjust alignment of cage. If badly out of alignment replace blower. If blower continues to rattle, replace blower.
Blower speed will not vary	<p>Wiring not done properly</p> <p>Blower controller is defective</p>	<ul style="list-style-type: none"> • Check wiring against wiring diagram in manual. If blower has been wired improperly and power applied to appliance. Blower controller will be damaged. Replace blower controller. • If blower operates, but will not vary, replace controller.

Caution: Label all wires prior to disconnection when servicing controls. Wiring errors can cause improper and dangerous operation. Always verify operation after servicing

Caution: Any safety screen or guard removed for servicing an appliance must be replaced prior to operating the appliance

LIMITED LIFETIME WARRANTY

COVERAGE - This Limited Warranty is issued by Alpine Gas Fireplaces, a division of Alpine Supply Company ("Alpine"), and extends only to the original consumer purchaser. THIS WARRANTY GIVES YOU SPECIFIC LEGAL RIGHTS, AND YOU MAY ALSO HAVE OTHER RIGHTS WHICH VARY FROM STATE TO STATE.

LIMITED ONE YEAR WARRANTY

The Alpine Gas Fireplace is warranted to be free of defects in materials and workmanship (does not include installation materials and installation labor) for a period of one (1) year from the date of purchase when installed and used in accordance with the recommendations in the installation and operation instructions for the fireplace. The determination as to the existence of a defect and whether or not that defect is material shall be made in accordance with accepted industry standards. Defective parts will be repaired or replaced at Alpine's option. Parts which are returned to Alpine and found defective on inspection will be repaired, or replaced with a new part, without charge to the purchaser as long as the part is still under warranty. All shipping charges will be paid by the purchaser, and all new or repaired parts shipped to the purchaser shall be shipped freight collect (F.O.B. Lehi, Utah). Service calls ordered by the customer, repairs, or parts which do not qualify for warranty shall be charged to the customer at then current rates for labor, parts and transportation.

LIMITED LIFETIME WARRANTY

In addition to the one year warranty described above, the firebox of the Alpine Gas Fireplace is warranted for life against through wall perforation when installed and used in strict compliance with the recommendations in the installation and operation instructions for the fireplace, provided that the blower has been installed and been kept operable and working whenever the fireplace has been in use, and there has been an approved and tested vent cap in place on the chimney to prevent moisture from coming down the flue and causing the rusting of the firebox or other components. For purposes of this lifetime warranty, burnout means only the eroding of the interior metal floor, top, walls or heat exchanger in the top of the appliance, solely by fire action, to the point that the erosion has resulted in one or more holes from inside of the firebox into the surrounding hot air chambers of the appliance. This lifetime warranty does not cover warping or rusting of the firebox. The damaged part or parts of the firebox will be repaired or replaced at Alpine's option. Parts which are returned to Alpine and are found damaged by burnout on inspection will be repaired, or replaced with a new part, without charge to the purchaser as long as the unit is still under warranty. All shipping charges shall be paid by the purchaser, and all new or repaired parts shipped to the customer shall be shipped freight collect (F.O.B. Lehi, Utah). If the damaged part or parts under warranty cannot reasonably be removed and shipped to Alpine for replacement or repair, Alpine will provide a serviceman to correct the defect at the location where the gas fireplace is installed without charge to the purchaser for labor or materials, provided that the purchaser shall pay a reasonable charge for the transportation of the serviceman and needed parts and equipment from the nearest Alpine service center to the location of the appliance and return.

LIMITATIONS - These one year and limited lifetime warranties are in lieu of all other express warranties. ALL IMPLIED WARRANTIES, INCLUDING ANY IMPLIED WARRANTIES OF MERCHANTABILITY OR OF FITNESS FOR ANY PARTICULAR PURPOSE, ARE SPECIFICALLY LIMITED TO A TERM OF ONE (1) YEAR FROM THE DATE OF PURCHASE (SOME STATES DO NOT ALLOW LIMITATIONS ON HOW LONG AN IMPLIED WARRANTY LASTS, SO THE ABOVE LIMITATION MAY NOT APPLY TO YOU). Alpine neither assumes nor authorizes any other person to assume for it, any additional liability in connection with the sale, installation, replacement, or repair of the appliance.

EXCLUSIONS Alpine shall be held free and harmless from liability damage to property or injury to persons related to the installation or operation, proper or improper, of the appliance. THESE ONE YEAR AND LIMITED LIFETIME WARRANTIES DO NOT COVER, NOR DOES ALPINE ASSUME, RESPONSIBILITY FOR INCIDENTAL, SECONDARY, OR CONSEQUENTIAL DAMAGES. (SOME STATES DO NOT ALLOW THE EXCLUSION OR LIMITATION OF INCIDENTAL OR CONSEQUENTIAL DAMAGES, SO THE ABOVE LIMITATION OR EXCLUSION MAY NOT APPLY TO YOU.)

These one year and limited lifetime warranties do not cover:

1. Damage or malfunction resulting from accident, negligence, abuse, alteration, unauthorized service, damage during transportation, shipping or damage caused by external fire, floods, acts of God, or any other casualty.
2. Damage or malfunction resulting from failure to follow the installation or operating instructions provided with the fireplace unit.
3. Damages or defects in any parts, equipment, accessories, materials, or items not manufactured, sold, or supplied by Alpine, or any damage resulting from the use of such items, which are used on or in connection with the fireplace unit.
4. Damage to or defects in any glass windows or internal or external finishes, or any damage resulting there from, except as an examination by the purchaser may reveal at the time of delivery of the appliance and is reported immediately to Alpine.
5. Any expansion and contraction noises commonly found in heating equipment.
6. Damage or malfunction caused by trees or bushes located in the proximity of the vent or vent termination.

PROCEDURE TO OBTAIN PERFORMANCE UNDER WARRANTY It is recommended that you first contact your local dealer as the dealer may be able to assist you with warranty or other service work. In any case, the following procedure must be followed for any and all warranty work;

If damage occurs or a defect is discovered which you believe is covered by this limited warranty, you must promptly notify Alpine of the damage or defect in writing and provide reasonably satisfactory proof of the date of purchase of the appliance. All claims made by you under this warranty should be directed to Alpine at the address below. The written notice must contain the name, address and phone number of the customer, as well as the name of the dealer, the serial number of the appliance and the date purchased. Failure to give timely notice to Alpine of any material damage or defect will result in that damage or defect being excluded from coverage.

Upon receipt Alpine will, within 60 days, repair, replace or service the parts or unit as covered by this Limited Warranty. Exceptions to this may be delays that are caused by acts of God, labor problems or material shortages.

ALPINE GAS FIREPLACES (801)768-8411
782 West State Street www.alpinegasfireplaces.com
Lehi, Utah 84043